

## Celia™ 7236 Skirted Air Bath Bathtubs

Letter	Description	English	Metric
-	Drain Location	Right / Left Hand	Right / Left Hand
-	Blower Location	Opposite end of drain location	Opposite end of drain location
-	Cutout	N/A	N/A
-	Total Weight	907 lb	412 kg
-	Floor Loading	50.4 lb/ft <sup>2</sup>	246 kg/m <sup>2</sup>
-	Operating Gallons (Min/Max)	38 Gal / 62 Gal	144 L / 234 L
-	Product Weight	91 lb	41 kg
L	Outer Length	72.00"	1829 mm
W	Outer Width	36.00"	914 mm
H	Overall Height	19.00"	483 mm
A	Overflow Height	17.50"	445 mm
B	Long Edge to Drain Center	9.38"	236 mm
C	Short Edge to Drain Center	17.38"	441 mm
D	Drain Shoe Length	6.50"	165 mm
E	Flange Height	1.00"	25 mm
F	Deck Width	1.00"	25 mm
G	Service Access Dimensions	See Illustration Below	N/A
I	Floor Cutout for Drain	12.0" x 4.0"	305 mm x 102 mm
J	Interior Dimensions: J(L) x J(W)	48.00" x 23.00"	1219 mm x 584 mm
-	Number of Injectors	34	34

### NOTE

The overall dimensions are nominal with a tolerance of +0 and -.25" (6mm).

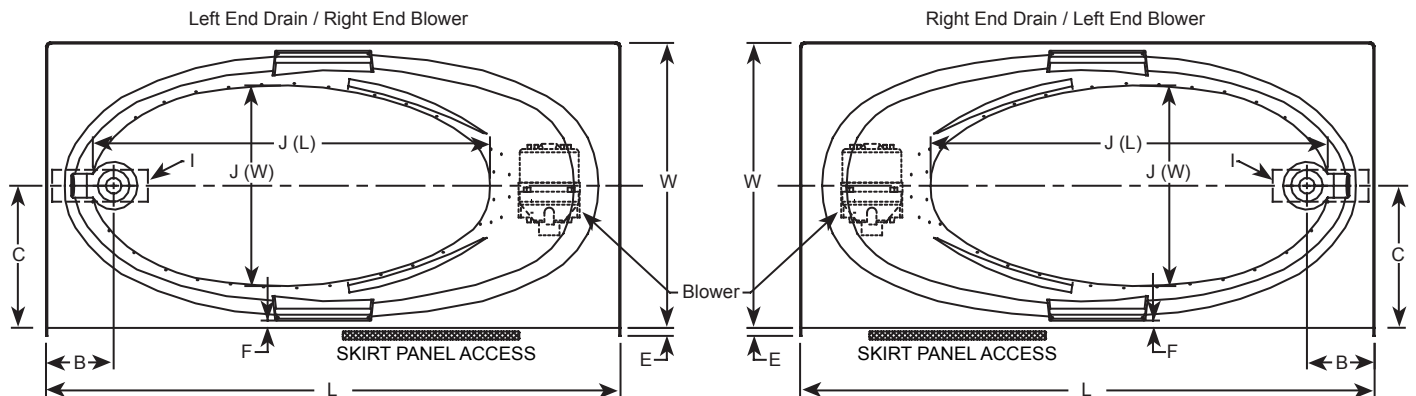
#### Electrical Specifications

(Each component requires a separate, dedicated GFCI protected circuit)

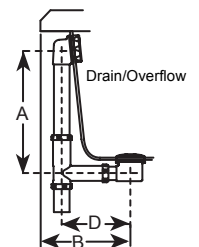
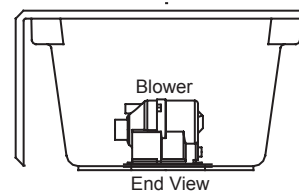
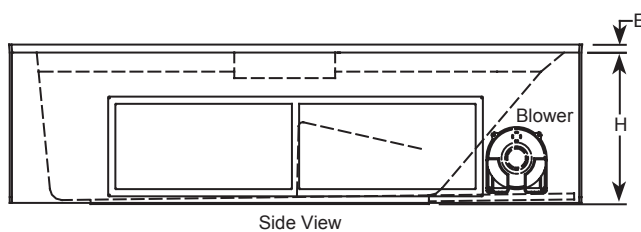
Blower

120V 15A 60HZ

## Key Dimensions



\*Deck width reflects only area indicated on detail.



NOTE: Drawings not to scale.