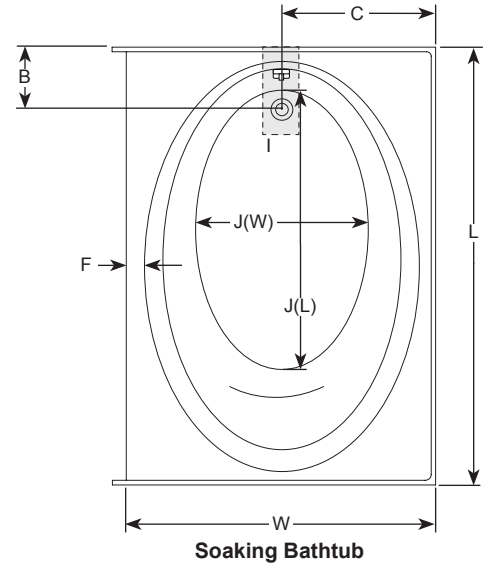


Celia™ 6042 Whirlpool And Soaking Skirted Bathtubs

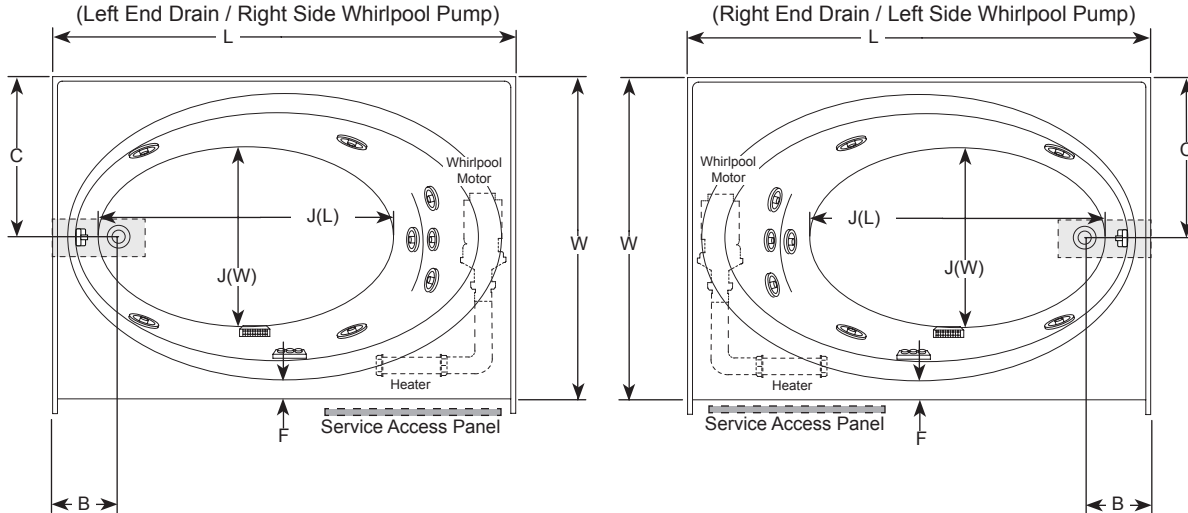
Letter	Description	Whirlpool	Soaking
-	Drain Location	Left Hand / Right Hand	Left Hand / Right Hand
-	Whirlpool Pump Location	Opposite end of drain location	N/A
-	Cutout	N/A	N/A
-	Total Weight	818 lb (371 kg)	798 lb (362 kg)
-	Floor Loading	47 lb/ft ² (229 kg/m ²)	46 lb/ft ² (225 kg/m ²)
-	Operating Gallons (Min/Max)	42 Gal (159 L) / 54 Gal (204 L)	42 Gal (159 L) / 54 Gal (204 L)
-	Product Weight	118 lb (54 kg)	98 lb (44 kg)
L	Outer Length	60.00" (1524 mm)	60.00" (1524 mm)
W	Outer Width	42.00" (1067 mm)	42.00" (1067 mm)
H	Overall Height	19.50" (495 mm)	19.50" (495 mm)
A	Overflow Height	17.50" (445 mm)	17.50" (445 mm)
B	Long Edge to Drain Center	8.50" (216 mm)	8.50" (216 mm)
C	Short Edge to Drain Center	21.00" (533 mm)	21.00" (533 mm)
D	Drain Shoe Length	6.50" (165 mm)	6.50" (165 mm)
E	Flange Height	1.00" (25mm)	1.00" (25mm)
F	Deck Width	2.00" (51 mm)	2.00" (51 mm)
G	Service Access	12.00 x 18.00" (305 x 457 mm)	N/A
I	Floor Cutout for Drain	12.00 x 4.00" (305 x 102 mm)	12.00 x 4.00" (305 x 102 mm)
J	Interior Dimensions: J(W) x J(L)	27.00 x 41.00" (686 x 1041 mm)	27.00 x 41.00" (686 x 1041 mm)

NOTE

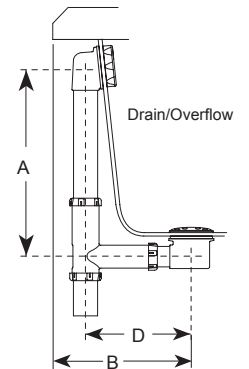
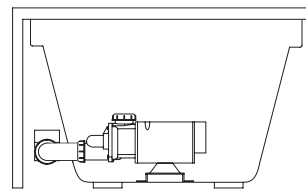
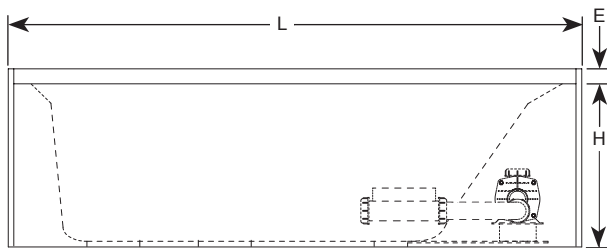
The overall dimensions are nominal with a tolerance of +0 and -.25" (6mm).
 Electrical Specifications
 (Each component requires a separate, dedicated GFCI protected circuit)
 Motor/Pump 120V 15A 60HZ
 Heater (optional) 120V 15A 60HZ



Key Dimensions



*Deck width reflects only area indicated on detail.



NOTE: Drawings not to scale.