

nova™ 636 whirlpool bath and soaking bath with integral skirt

nova—a brightly burning star. the nova™ whirlpool bath—a rejuvenating point of light in your day, your night, your routine.



Clean lined and classic, the Nova™ whirlpool is versatility defined.

features:

- Sculpted armrest.
- Contoured backrest.
- 4 Fully adjustable TheraPro™ jets
- Handrails.
- Integral skirt with access panel.
- 2 Directionally adjustable AccuPro™ lumbar jets.
- Exclusive Tru-Level™ base system.
- Built-in tile-flange.
- Slip-resistant bottom.
- Patented Silent Air™ Induction system.
- Electronic controls
- Drain included on whirlpool baths

nova™ 636 (with integral skirt) whirlpool bath

model number: H534 – LH, H535 – RH

exterior dimensions:
72" long x 36" wide x 19" high

interior dimensions (at bottom):
48" long x 23" wide(mid) x 14" wide (end)

of Jets/type of Jets:
4 TheraPro™ Jets
2 AccuPro™ Jets

operating gallons:
56 gallons

nova™ 636 (with integral skirt) soaking bath

model number: H536 - LH, H582 - RH

exterior dimensions:
72" long x 36" wide x 19" high

interior dimensions:
48" long x 23" wide





Nova® 636 Whirlpool Bath with Integral Skirt

Model: H535, H534

Nova® 636 Bath with Integral Skirt

Model: H582, H536

Ordering Information

Product Code:

H535 Nova® 636 Whirlpool Bath with Integral Skirt Right Hand

H534 Nova® 636 Whirlpool Bath with Integral Skirt Left Hand

H582 Nova® 636 Bath with Integral Skirt Right Hand

H536 Nova® 636 Bath with Integral Skirt Left Hand

• Right and Left Hand Drain Location

• Accessories / Hardware:

Trip-Lever Drain Kit: #X559

Rotary Drain Kit, 26" Cable: #8730

HTC Jet Trim Kit: #D095

BMH Jet Trim Kit: #J869

• Trim Kit Finishes Available:

(827) - Chrome

(898) - Brushed Chrome

(815) - Satin Nickel

(829) - Bright Brass

(805) - Platinum

(826) - Brushed Nickel

(849) - Oil Rubbed Bronze

Installation Notes

Refer to installation instructions included with fixture before beginning installation. Please confirm product availability and specifications before commencing with any installation work.

PRODUCT SPECIFICATIONS AND AVAILABILITY ARE SUBJECT TO CHANGE WITHOUT NOTICE.

Electrical Components and Electrical Specifications do not apply to non-jetted baths.

Technical Specifications

Dimensions

72" L x 36" W x 19" H
(1829 mm) L x (914 mm) W x (483 mm) H

Drain/Overflow

A: 14-5/8" (372 mm) B: 9-3/8" (238 mm)

Cutout

Not Applicable

Total Weight

H535, H534: 824 lb (374 kg) / 46 lb/sq. ft. (224 kg/m²)
H582, H536: 796 lb (361 kg) / 44 lb sq. ft. (216 kg/m²)

Operating Gallonage

56 U.S. Gal. (212 Liters)

Product Weight

H535, H534: 108 lb (49 kg)
H582, H536: 80 lb (36 kg)

Skirt Mounting

Integral

Electrical Specifications Models H535, H534 only

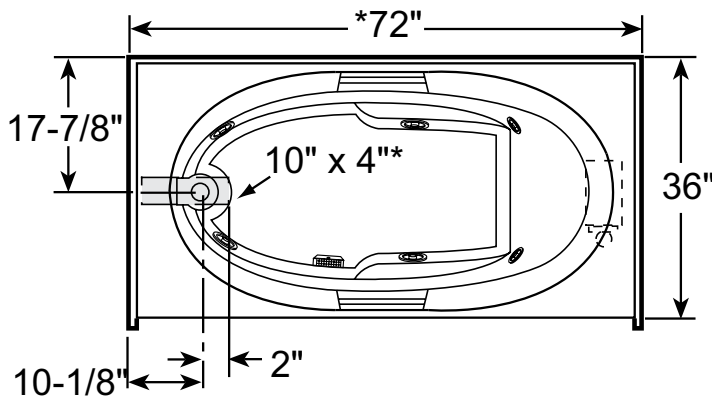
Requires a dedicated GFCI protected separate circuit.

Motor/Pump: 120 VAC, 15 AMP, 60 Hz.

RapidHeat™: 120 VAC, 15 AMP, 60 Hz.

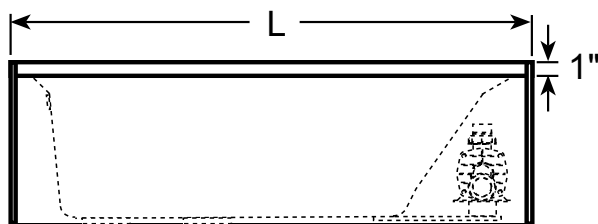
Heater (Optional) Models H535, H534 only

Requires a dedicated GFCI protected separate circuit.

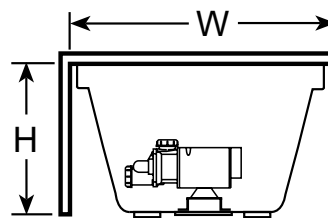


Product Shown: Nova® 636 Whirlpool Bath with Integral Skirt Left Hand Model: H534

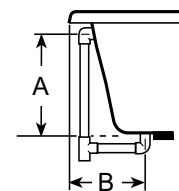
* Measurements inside unit represent cutout in floor to allow for drain/overflow.



SIDE VIEW



END VIEW



DRAIN/OVERFLOW