

Tara® 6060 Whirlpool and Soaking Skirted Bathtubs

Letter	Description	Whirlpool	Soaking
-	Drain Location	Center Drain	
-	Whirlpool Pump Location	Right Hand	N/A
-	Cutout	See Illustration Below	
-	Total Weight	1103 lb (500 kg)	1039 lb (471 kg)
-	Floor Loading	44 lb/ft ² (215 kg/m ²)	42 lb/ft ² (205 kg/m ²)
-	Operating Gallons (Min/Max)	62 Gal (235 L) / 79 Gal (299 L)	
-	Product Weight	145 lb (66 kg)	81 lb (37 kg)
L	Outer Length	60.00" (1524 mm)	
W	Outer Width	60.00" (1524 mm)	
H	Overall Height	20.75" (527 mm)	
A	Overflow Height	17.50" (445 mm)	
B	Long Edge to Drain Center	12.38" (314 mm)	
C	Short Edge to Drain Center	35.00" (889 mm)	
D	Drain Shoe Length	13.00" (330 mm)	
E	Flange Height	1.00" (25 mm)	
F	Deck Width	2.00" (51 mm)	
G	Service Access Dimensions	12.00" x 18.00" (305mm x 457mm)	N/A
I	Floor Cutout for Drain	12.00 x 4.00" (305 mm x 102 mm)	
J	Interior Dimensions (JW x JL)	40.00" x 45.00" (1016 mm x 1143 mm)	

NOTE

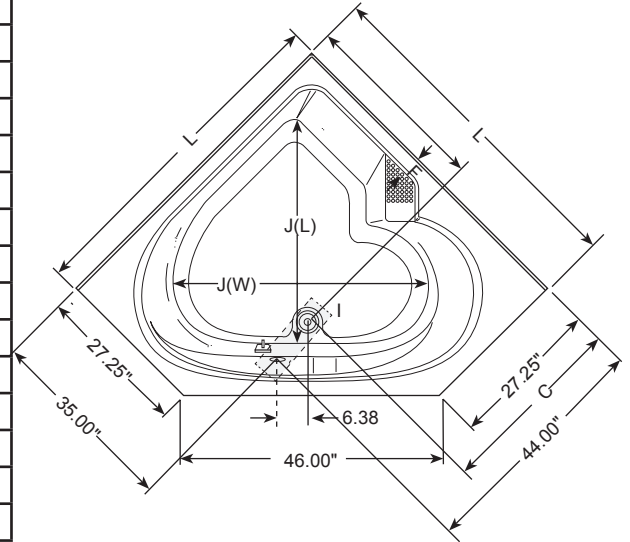
The overall dimensions are nominal with a tolerance of +0 and -.25" (6mm).

Electrical Specifications

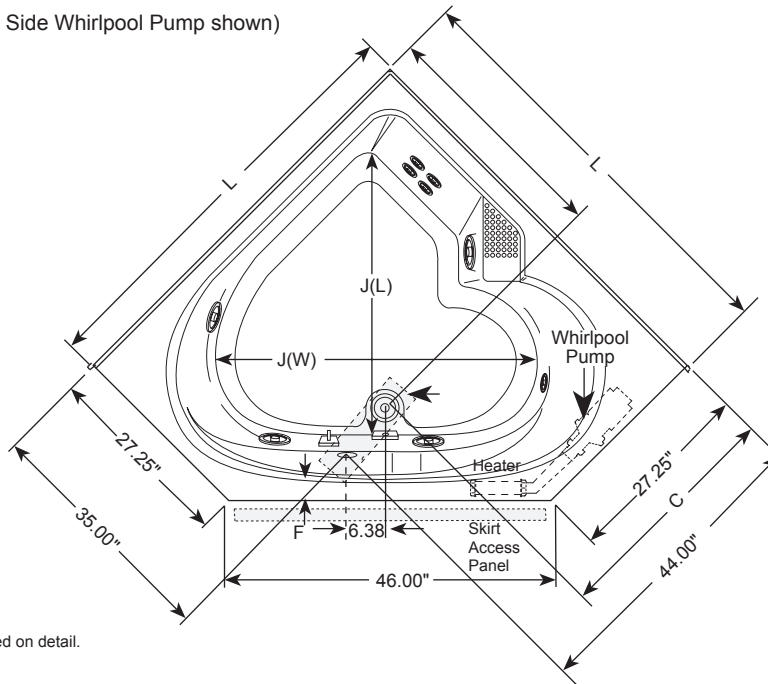
(Each component requires a separate, dedicated GFCI protected circuit)

Motor/Pump 120V 15A 60HZ

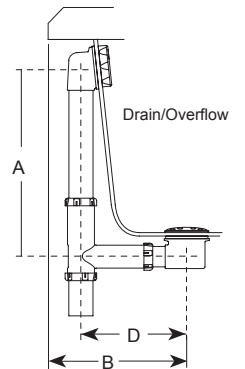
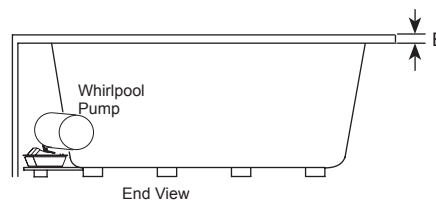
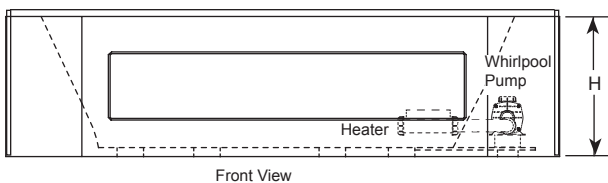
Heater (optional) 120V 15A 60HZ


Corner Soaking Skirted Bathtub
Key Dimensions

(Center Drain / Right Side Whirlpool Pump shown)



*Deck width reflects only area indicated on detail.


NOTE: Drawings not to scale.