

**6042 Oval Drop-In Air Bath Bathtub**

Letter	Description	English	Metric
-	Drain Location	Universal end drain	
-	Air Bath Blower Location	Opposite end of drain	
-	Cutout	58" x 40"	1473 mm x 1016 mm
-	Total Weight	879 lbs	399 kg
-	Floor Loading	50.2 lb/ft <sup>2</sup>	kg/m <sup>2</sup>
-	Operating Gallons (Min/Max)	32 / 66	121 l / 250 l
-	Product Weight	79 lbs	36 kg
L	Outer Length	60.00"	1524 mm
W	Outer Width	42.00"	1067 mm
H	Overall Height	21.00"	533 mm
A	Overflow Height	17.50"	445 mm
B	Short Edge to Drain Center	12.60"	320 mm
C	Long Edge to Drain Center	21.06"	535 mm
D	Drain Shoe Length	10.45"	265 mm
E	Flange Height	2.00"	51 mm
F	Deck Width	5.00"	127 mm
G	Service Access Dimensions	12.00" x 18.00"	305 mm x 457 mm
I	Floor Cutout for Drain	12.00" x 4.00"	305 mm x 102 mm
J	Interior Dimensions (W x L)	39.80" x 24.00"	1011 mm x 610 mm

**Note:** The overall dimensions are nominal with a tolerance of +0 and -1/4" (6mm).

**Electrical Specifications**

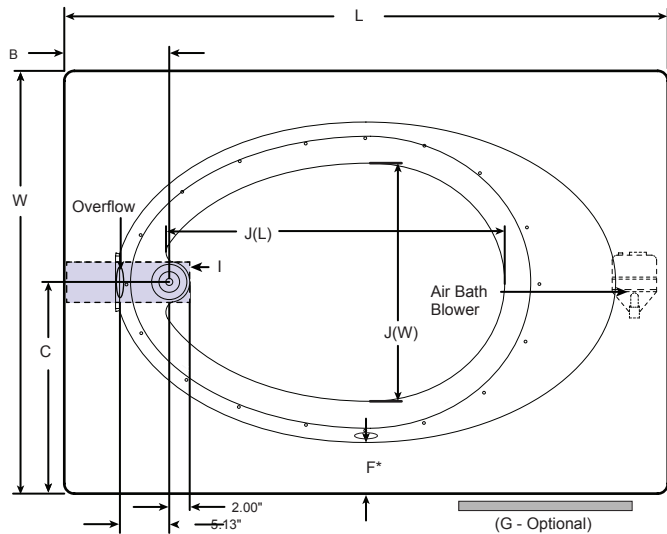
(Each component requires a separate, dedicated GFCI protected circuit)

Blower

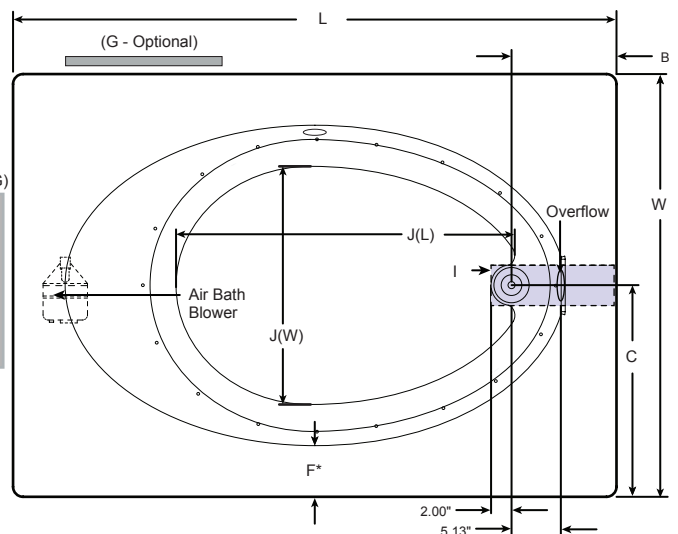
120V 15A 60HZ

**Key Dimensions**

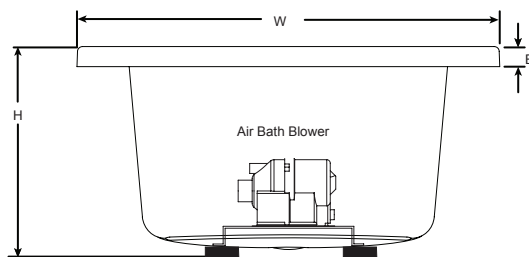
Installed Left-Hand Orientation



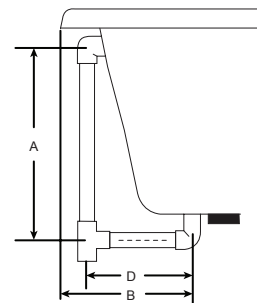
Installed Right-Hand Orientation



\*Deck width reflects only area indicated on detail.



End View



Drain/Overflow

**NOTE:** Drawings not to scale.