

Bath Heater

120 VOLT AND 240 VOLT MODELS

INSTALLATION & OPERATING INSTRUCTIONS

DISCHARGE SIDE OF PUMP

IMPORTANT SAFETY INSTRUCTIONS

READ AND FOLLOW ALL INSTRUCTIONS

SAVE THESE INSTRUCTIONS

INSTRUCTIONS PERTAINING TO RISK OF FIRE, ELECTRIC SHOCK, OR INJURY TO PERSONS

Warning — When using this unit, basic precautions should always be followed, including the following:

DANGER: To reduce the risk of injury, do not permit children to use this unit unless they are closely supervised at all times.

Use this unit only for its intended use as described in this manual. Do not use attachments not recommended by the manufacturer.

Never drop or insert any object into any opening in the whirlpool bath.

Do not operate this unit without the guard over the suction fitting.

This unit must be connected only to a supply circuit that is protected by a ground fault circuit interrupter (GFCI). Such a GFCI should be provided by the installer and should be tested on a routine basis. To test the GFCI, push the test button. The GFCI should interrupt power. Push the reset button. Power should be restored. If the GFCI fails to operate in this manner, the GFCI is defective. If the GFCI interrupts power to the bathtub without the test button being pushed, a ground current flowing, indicating a possibility of an electric shock. Do not use this unit. Disconnect the unit and have the problem corrected by a qualified service representative before using.

Warning — Prolonged immersion in hot water may induce hyperthermia. Hyperthermia occurs when the internal temperature of the body reaches a level several degrees above the normal body temperature of 98.6°F. The symptoms of hyperthermia include an increase in the internal temperature of the body, dizziness, lethargy, drowsiness and fainting. The effects of hyperthermia include:

- a) Failure to perceive heat
- b) Failure to recognize the need to exit the spa or tub
- c) Unawareness of impending hazard
- d) Fetal damage in pregnant women
- e) Physical inability to exit the spa or hot tub or
- f) unconsciousness resulting in danger of drowning.

WARNING — The use of alcohol, drugs or medication can greatly increase the risk of fetal hyperthermia.

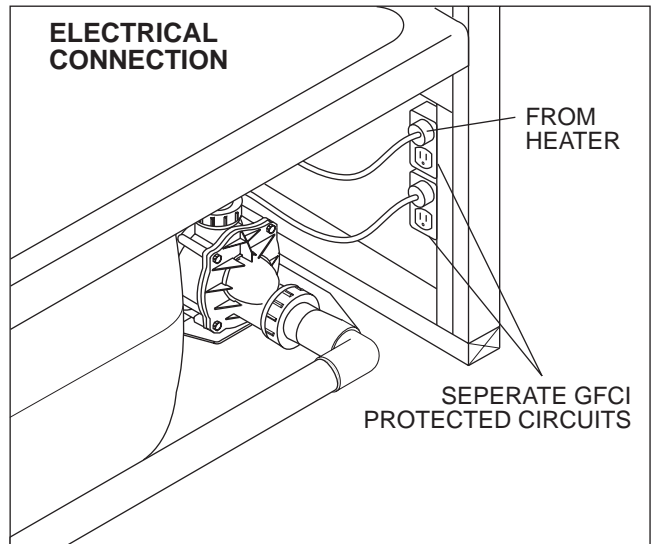
INSTALLATION

Before installing heater, determine if your bath has a heater blank or not. When you have verified which model you have, follow the appropriate instructions below for your model.

Electrical Connection

Before installing electrical connection, inspect the heater nameplate and determine if you have a 120 VAC or a 240 VAC unit (240 VAC unit not available in U.S.A.). Install a separate 120 VAC 15 AMP dedicated circuit with GFCI protection. With the #8 solid copper wire provided, bond the heater as per approved local bonding codes. A bonding lug is provided on the heater.

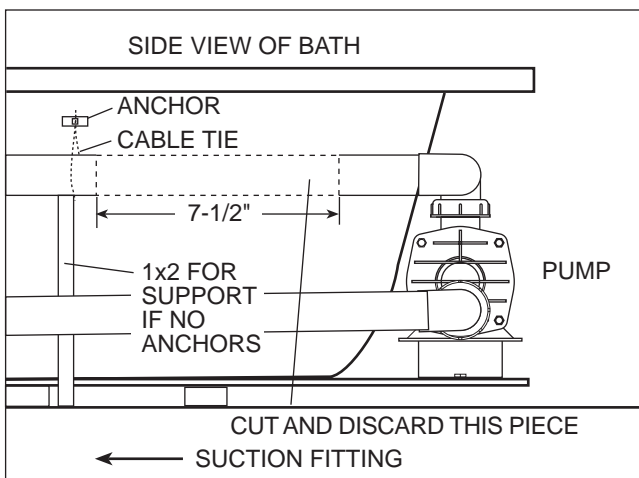
At initial start-up and before each use thereafter with power ON, push the GFCI test button. The reset button should pop out. Push this button in to reset. If the interrupter fails to operate in this manner, there is a ground current flowing or a device malfunction, indicating the possibility of electrical shock. **Turn off power and do not use the bath until the source of the problem has been identified and corrected.**



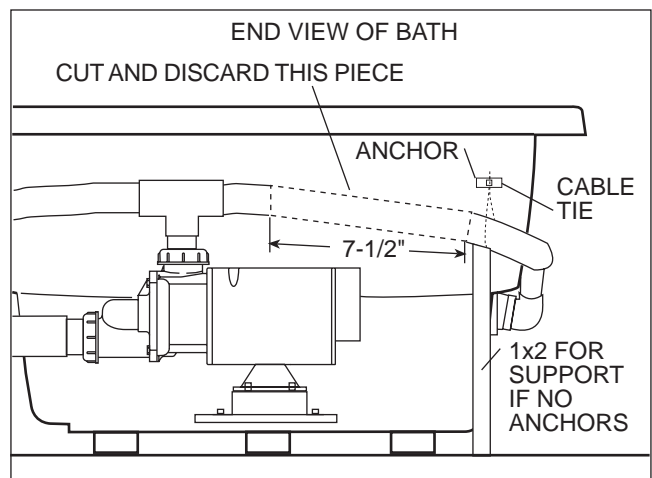
To Install Heater (Models without Heater Blank)

1. Locate the discharge line from the pump to the jets. When installing heater consider the access location between the pump and first jet
2. Cut out a 7-1/2" long piece and discard. If the discharge line from your pump is other than 1-1/2" in diameter, it will be necessary to add two adapter fittings and cut the pipe length to fit. Remove burrs and any debris. Cement these fittings onto the cut off pipe ends using flexible PVC cement. With the gaskets in place, reassemble the fittings to the heater.
3. After installing the in-line heater, added support for the line must be provided. If your bath unit has an anchor, you must use a cable tie for support. If there are no anchors, use a 1x2 for support as shown. The line should slope evenly from the pump to the fitting so the pump line will drain.
4. After installing heater and support, fill the bath and check for leaks with pump/motor off. Then check for leaks with the pump on.
5. Turn the pump off and plug the heater in the separate GFCI protected outlet. Turn the pump back on and check that the heater light is on indicating that the heater is operating. If light is not lit, check the electrical connections to outlet.

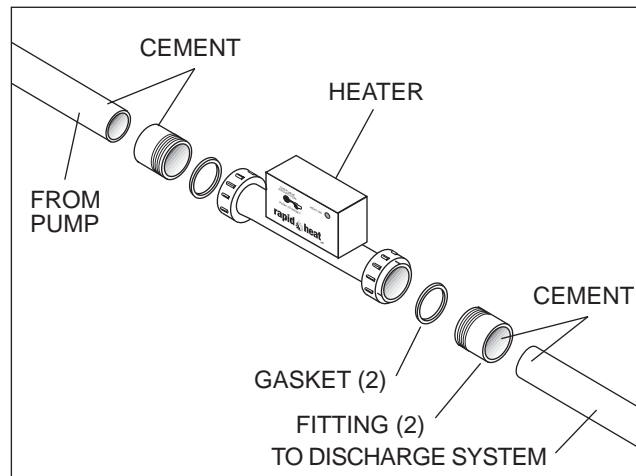
PREFERRED INLINE INSTALLATION



ALTERNATE INLINE INSTALLATION



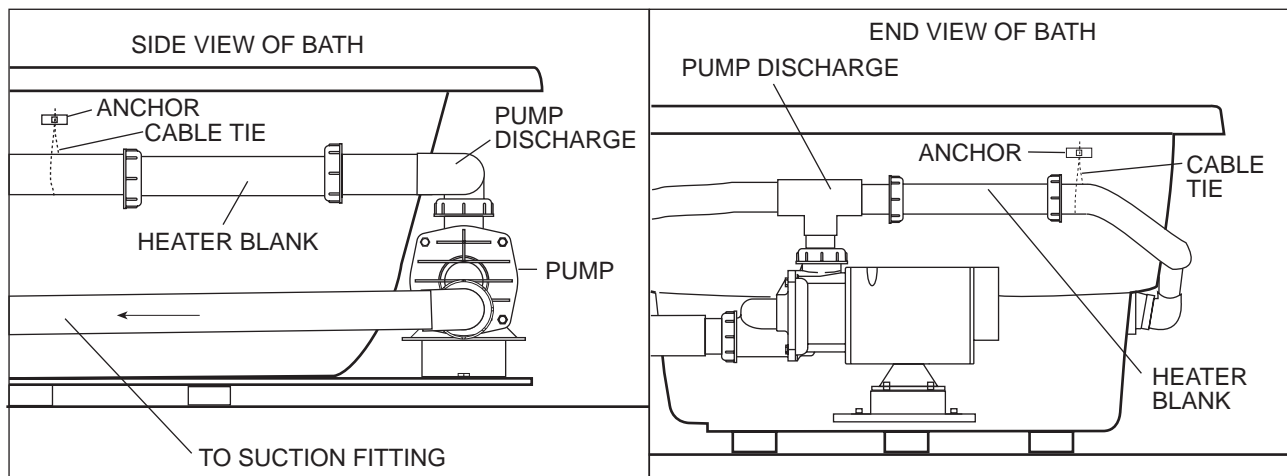
PLUMBING ASSEMBLY



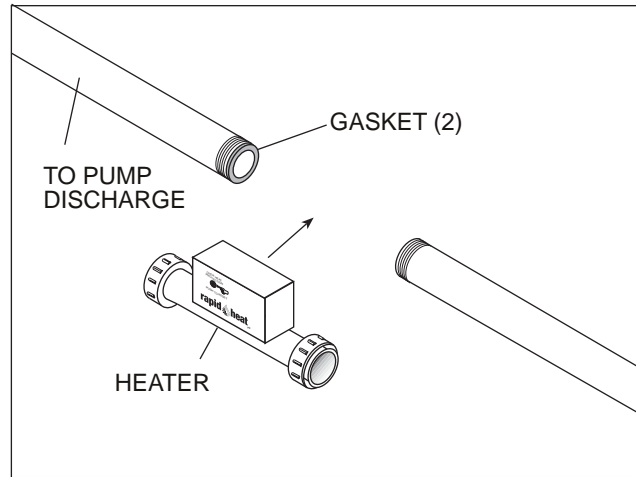
To Install Heater (Models with Heater Blank)

1. Locate the plumbing line from the discharge side of the pump. The heater blank will be in this line.
2. Unscrew both union nuts at the ends of the heater blank and remove blank. Leave the gaskets in place on the plumbing connections. Note: The 2 pipe unions with gasket contained in the kit are not used for this installation.
3. Insert the heater in the open space in plumbing with the reset button and light facing away from the bath. Make sure the gaskets remain in place. Tighten the union nuts hand tight. Do not plug the heater in at this time.
4. After installing the heater, added support for the suction line must be provided. Use a cable tie through the anchor.
5. After installing heater and support, fill the bath and check for leaks with pump/motor off. Then check for leaks with the pump on.
6. Turn the pump off and plug the heater in the separate GFCI protected outlet. Turn the pump back on and check that the heater light is on indicating that the heater is operating. If light is not lit, check the electrical connections to outlet.

INLINE INSTALLATION



PLUMBING ASSEMBLY



Operation

Once the heater is installed and the whirlpool pump is operating, the heating function is totally automatic. The heater will help maintain the temperature of the water in the bath.

Pressure Switch

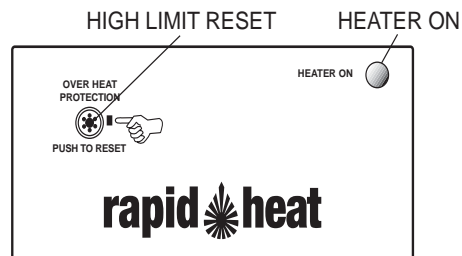
The heater is equipped with a preset pressure switch which will not allow the heater to turn ON if the pump is not running with water flowing through the whirlpool system.

High-Limit Switch

The heater includes an exclusive High-Limit switch. This safety circuit will not false trip from hot tap water. It will only turn off the heater if the thermostat fails. To reset, press the button. If the high-limit trips frequently, contact your dealer.

Heater On Indicator

The light will be illuminated any time the heater is operating



P.O. Box 702168, Dallas TX 75370-2168

Service Support: Call (800) 288-4002

©2004 BJ62000 7/04