

Home Spa Towel Warming Drawer™

Wrap yourself in the pure luxury of heated towels as soon as you step out of the bath.



Installation Option: Cabinet and door panel are not included with this product.

Detail: The Home Spa Towel Warming Drawer™ comes unfinished and can be installed into standard cabinets for that custom, home spa look.

Wrap yourself in the pure luxury of heated towels as soon as you step out of the bath. The Home Spa Towel Warming Drawer™ installs into standard cabinets and gives you the luxury of the spa at home – every day.

features:

- 2 hour automatic shut-off
- Warm up to 4 towels at a time (EU49)
- Ready for custom installation

Home Spa Towel Warming Drawer™ - 24"

model number: EU48

dimensions:

19-1/2" Deep x 20-3/4" Wide
x 21-1/2" High

Home Spa Towel Warming Drawer™ - 42"

model number: EU49

dimensions:

19-1/2" Deep x 20-3/4" Wide
x 39-1/2" High





Home Spa Towel Warming Drawer™

Model: EU48, EU49

Ordering Information

Product Code:

EU48 Towel Warming Drawer, 24"

EU49 Towel Warming Drawer, 42"

Installation Notes

Refer to installation instructions included with fixture before beginning installation. Please confirm product availability and specifications before commencing with any installation work.

PRODUCT SPECIFICATIONS AND AVAILABILITY ARE SUBJECT TO CHANGE WITHOUT NOTICE.

Technical Specifications

Unit Dimensions

EU48: 19-1/2" Deep x 20-3/4" Width x 21-1/2" Height
(495 mm) Deep x (527 mm) Width x (546 mm) Height

EU49: 19-1/2" Deep x 20-3/4" Width x 39-1/2" Height
(495 mm) Deep x (527 mm) Width x (1003 mm) Height

Face Panel Dimensions

EU48: 22-3/4" Width x 23-5/8" Height
(578 mm) Width x (600 mm) Height

EU49: 22-3/4" Width x 41-1/2" Height
(578 mm) Width x (1054 mm) Height

Drawer Face Dimensions

EU48: 22-1/8" Width x 22-3/4" Height
(562 mm) Width x (578 mm) Height

EU49: 22-1/8" Width x 41" Height
(562 mm) Width x (1041 mm) Height

Cutout

EU48: 19-3/4" Deep x 21" Width x 21-3/4" Height
(502 mm) Deep x (533 mm) Width x (553 mm) Height

EU49: 19-3/4" Deep x 21" Width x 39-3/4" Height
(502 mm) Deep x (533 mm) Width x (1010 mm) Height

Product Weight / Floor Load

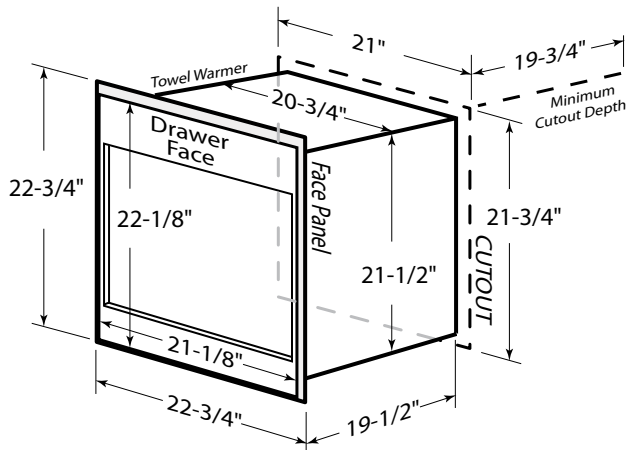
EU48: 57 lb. (26 kg) / 20.4 lb/ft² (99 kg/m²)

EU49: 85 lb. (38.6 kg) / 30.4 lb/ft² (148 kg/m²)

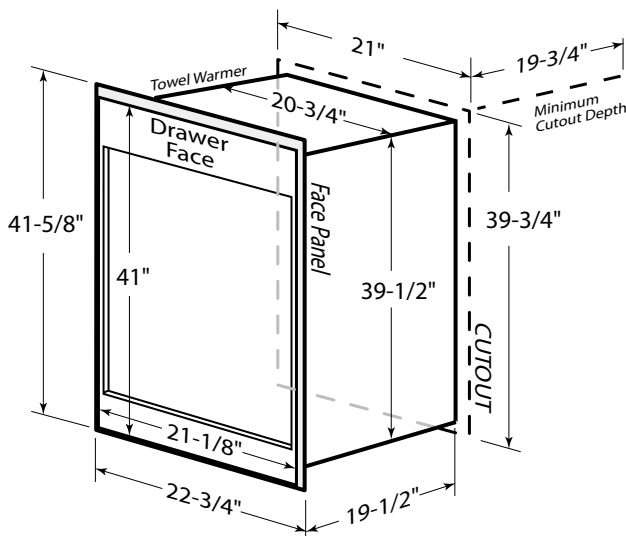
Electrical Specifications

Each requires a dedicated GFCI protected separate circuit.
120 VAC, 15 AMP, 60 Hz.

Cabinet and door panel are not included with this product.



Product Shown: Towel Warming Drawer, 24" Model: EU48
Minimum Cutout dimensions given.



Product Shown: Towel Warming Drawer, 42" Model: EU49
Minimum Cutout dimensions given.