



Rialta™ / Venicia™ Handles Installation Instructions

IMPORTANT: Read all instructions before beginning installation.

The bath handle is an optional feature designed for easy installation and available in chrome or bright brass finish. The installation requires drilling holes in the bath shell using a template that is provided and mounting the handle with screws.

Contents of the Installation Kit:

- Two (2) bath handles.
- Four (4) threaded 1-1/4" x 1/4" studs with washers and 1/4-20 lock nuts.
- Four (4) 1/4-28 set screws for holding handles in place.
- Hexagonal wrench.
- One (1) template for drilling the holes to locate studs.

Rialta Whirlpool Bath Instructions:

1. Cut off the hole-drilling template with scissors, fold on line where indicated. **(Template on back page.)**
2. Find center line of bath, mark and tape template in place as shown in Figures 1 & 2.
3. Using a scribe or an awl, mark the center points of the two hole positions Figure 2.
4. Drill 1/16" pilot holes from inside the unit. For best results, begin drilling at slow speed until the drill penetrates the finished surface, then use high speed.
5. Drill the 5/16" holes for the mounting studs using the pilot holes as guides. Remove the template and clean up dust particles with a soft cloth dampened with water or isopropyl alcohol.
6. Put sealant (not provided) around each hole before inserting the handle mounting studs, as shown in Figure 3. Remove excess sealant.
7. Fasten the mounting studs to the bath with the washers and lock nuts provided and tighten in place, as shown in Figure 3.
8. Slip the holes at each end of the handle onto the studs.
9. Using the hexagonal wrench from the kit, secure the handle firmly to the studs with the set screws, as shown in Figure 3.
10. For opposite side repeat steps 2 through 9 to fasten handle.

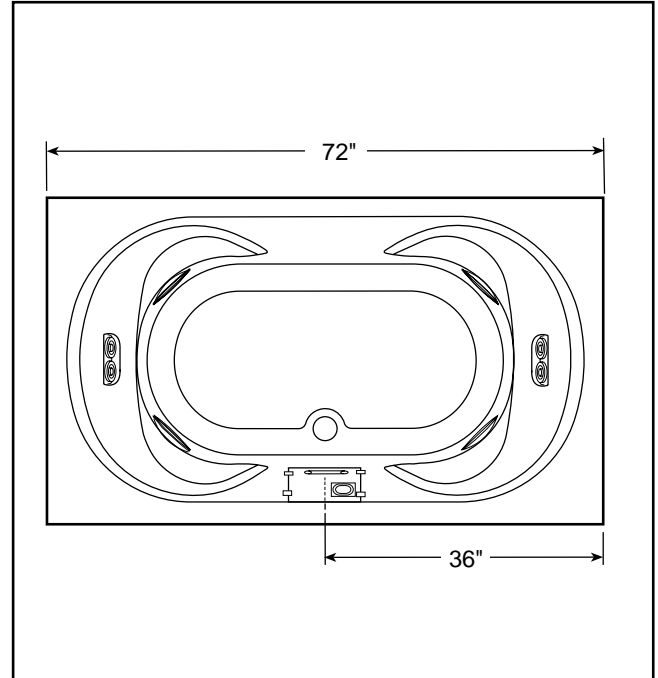


Figure 1. Locate template on bath.

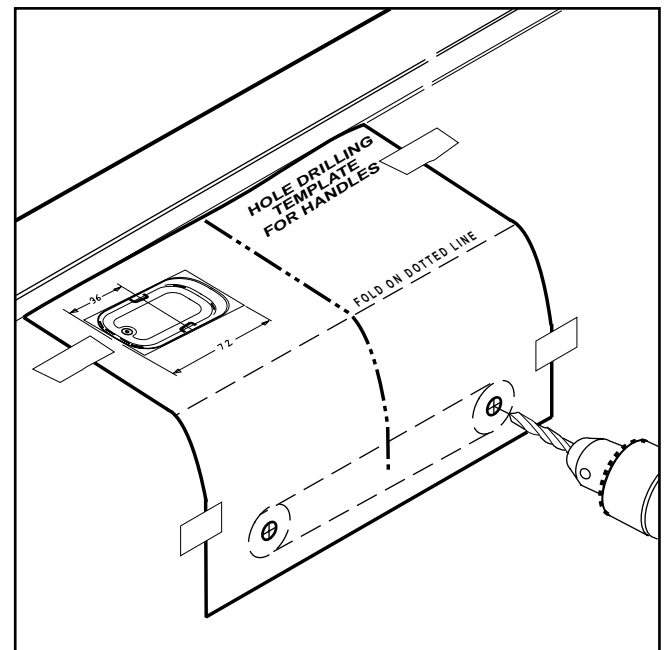


Figure 2. Tape the template in place and drill.

Note: Template on back page.

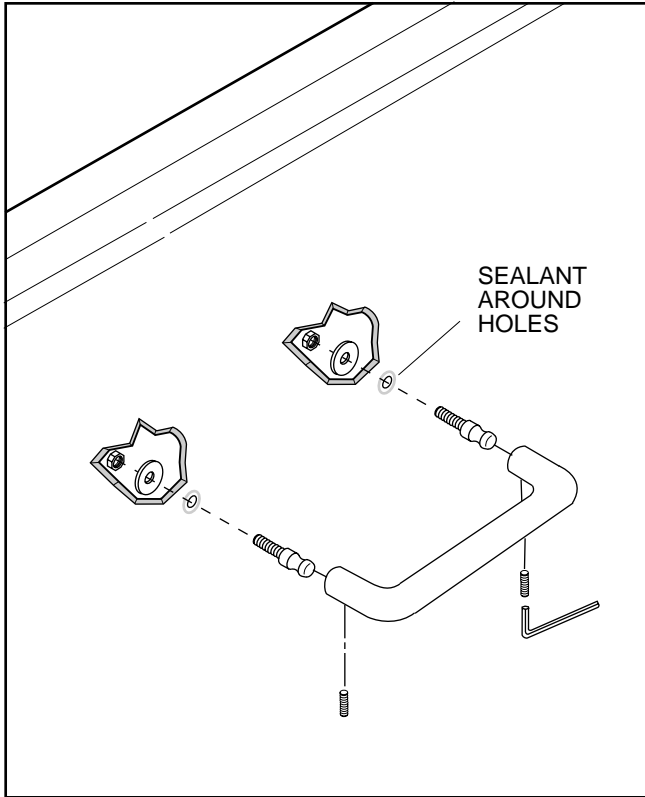


Figure 3. Fastening the handle to the bath.

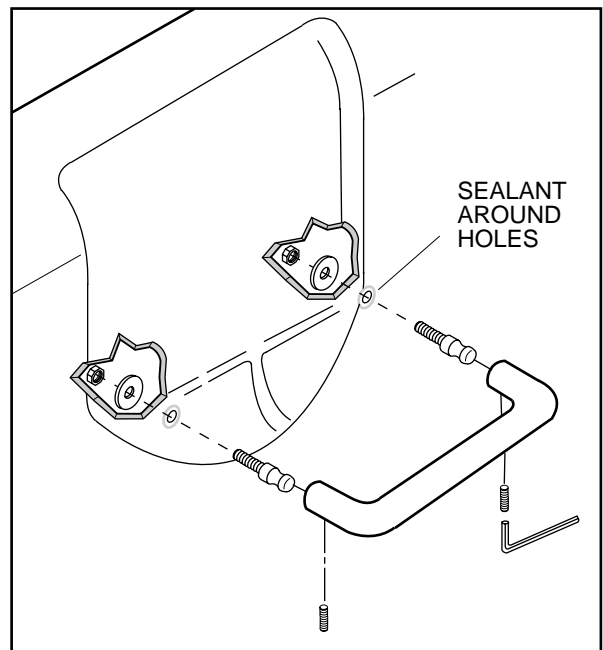
Installations on Other Baths

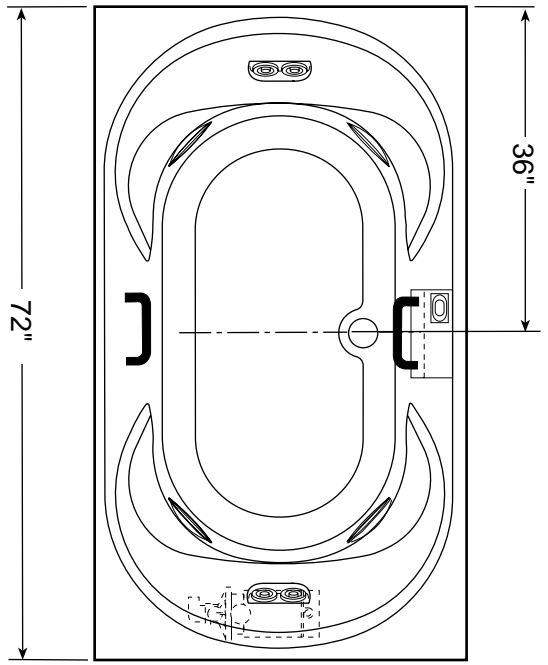
For installation of handles on baths other than the Rialta and Venicia use the template supplied for drilling holes. You may locate the handles anywhere or any angle you wish as long as it is on flat surface and above the water line. Be careful when drilling holes to avoid drilling through any air lines or parts.

Venicia Whirlpool Bath

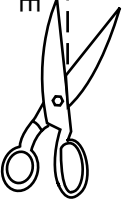
Installation Instructions:

1. Put sealant (not provided) around each hole before inserting the handle mounting studs. Remove excess sealant.
2. Fasten the mounting studs to the bath with the washers and lock nuts provided and tighten in place.
3. Slip the holes at each end of the handle onto the studs.
4. Using the hexagonal wrench from the kit, secure the handle firmly to the studs with the set screws.





CUT ON DOTTED LINE

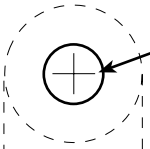


CENTER LINE

SOLE DRILLING
TEMPLATE
FOR HANDLES

FOLD ON DOTTED LINE

DRILL
5/16" DIA



DRILL
5/16" DIA

