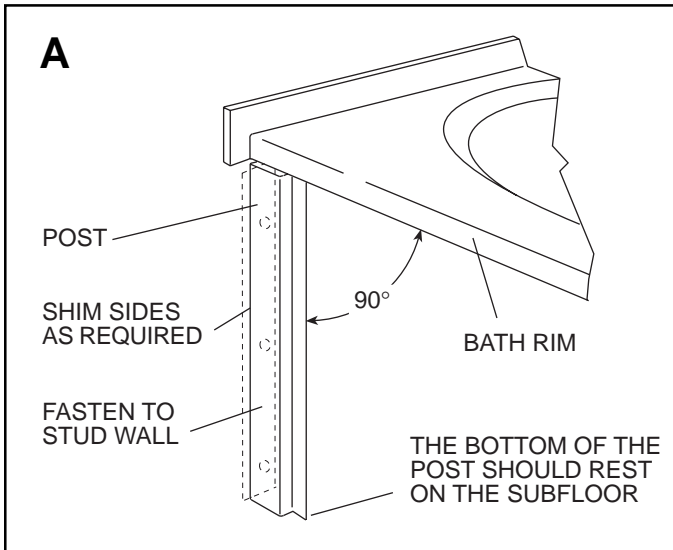
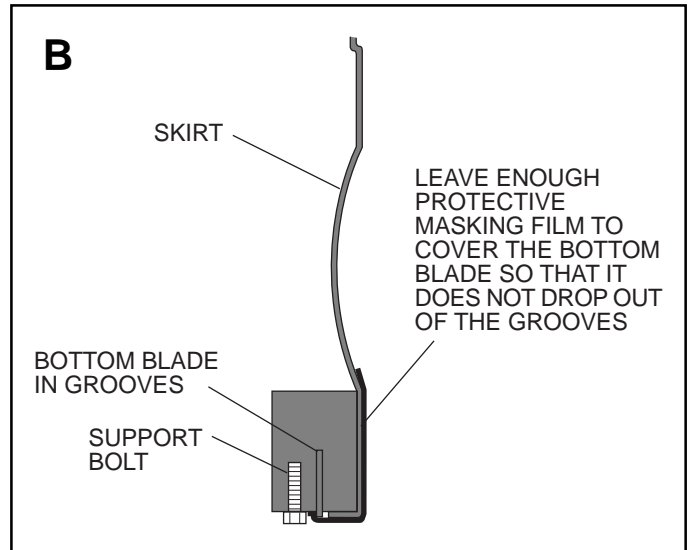


# POST AND BLADE SKIRT INSTALLATION AND REMOVAL

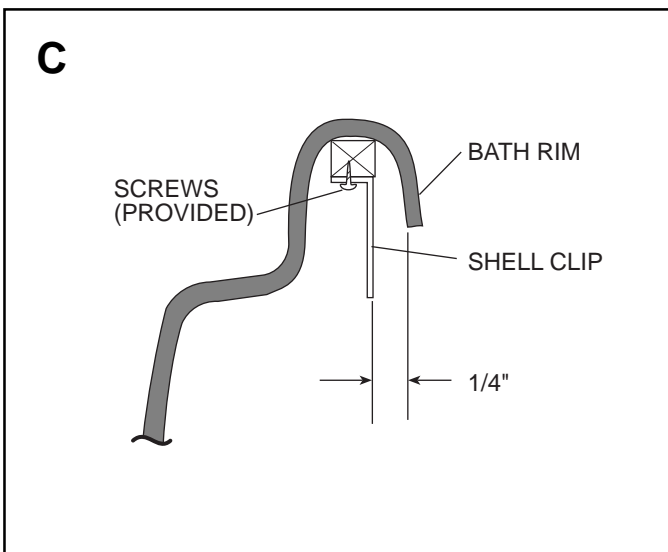
1. Install the skirt during bath installation, after the bath is in place. Remove the protective masking film from the posts. Attach a post to each stud wall with the top of the post placed against the back of the bath rim. See Illustration A. The posts should be vertical and the bottom of each post should rest on the sub-floor.



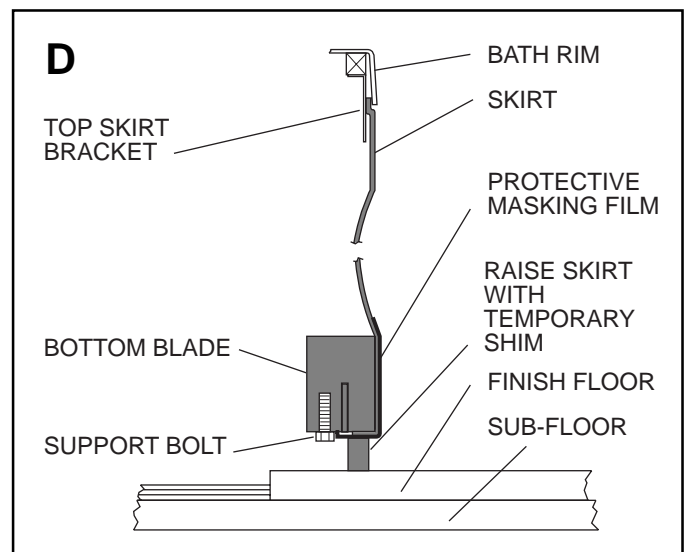
2. Next remove the corrugated wrap, the 2" tape from the skirt and the protective masking film that covers the skirt and support bolts. Leave enough protective masking film to cover the bottom blade so that it does not drop out of the grooves. See Illustration B.



2. Mount the five shell clips to the wood blocks located under the bath rim. One example is shown in illustration C. The shell clip is to be located about 1/4" from the inside of the bath rim edge (in each of five locations). Mark hole locations on the block using the clip as a template. Then drill pilot holes about 1/8" deep using a 3/32" drill bit. Use caution to avoid drilling through bath rim. Secure the clips to the wood blocks with screws as shown.

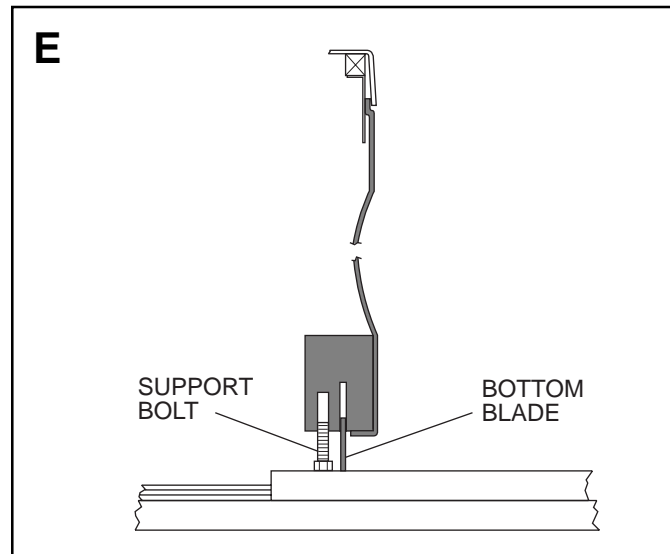


3. Hold the skirt against the top skirt brackets and raise it until it slides between the top skirt brackets and the inside of the bath rim. Then temporarily shim the space under the blocks at each end and in the middle, until the offset at the top of the skirt is flush to bath rim edge. See Illustration D.



(OVER)

5. Loosen the support bolts until they contact the surface of the finished floor. Remove the wood block shims. Then remove the protective masking film from the bottom blade and skirt. The bottom blade should then drop down from the skirt block grooves to the surface of the finished floor as shown in Illustration E.



6. To remove the skirt, shim the space under the bottom of the skirt and reverse the steps listed above for skirt installation.