

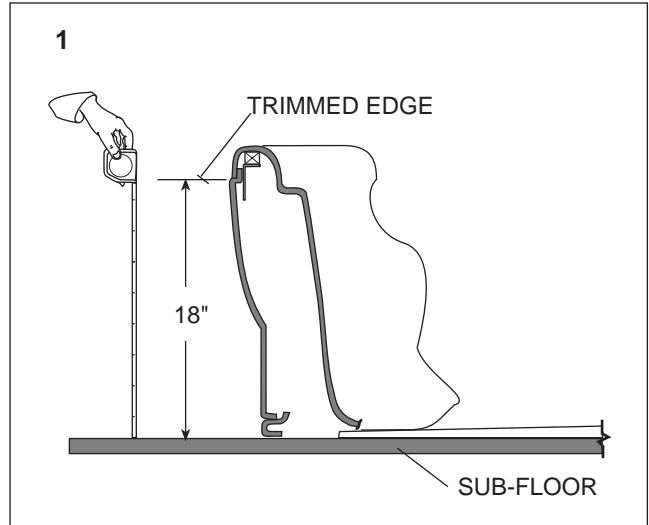


Ciprea™ Whirlpool Bath

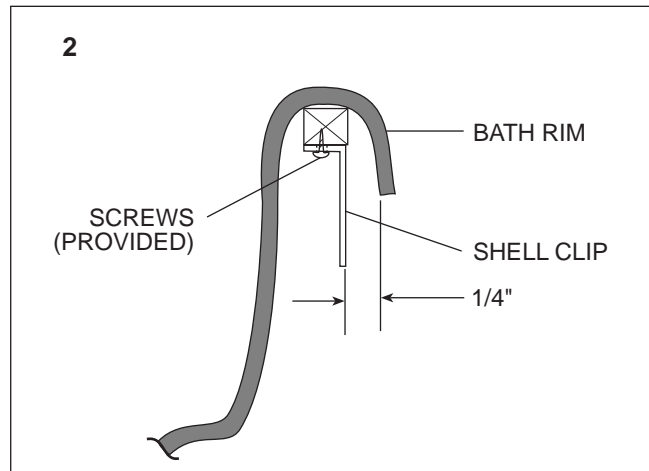
SKIRT INSTALLATION INSTRUCTIONS

Important: Read complete instructions before beginning installation.

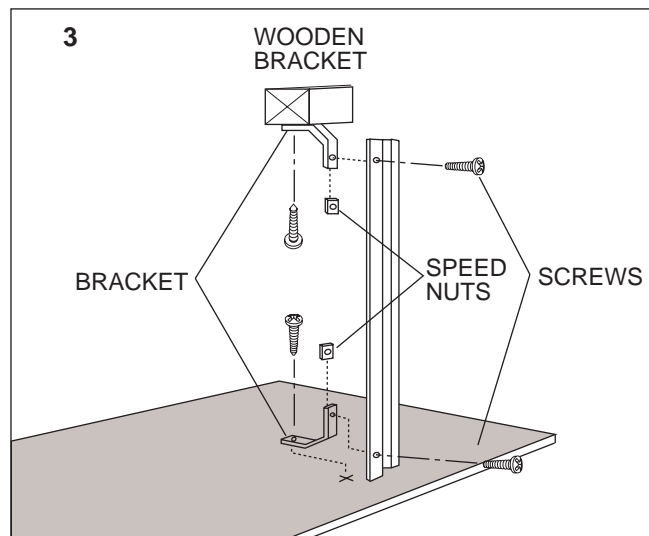
1. The bath should be set and levelled according to the installation instructions. Electricity should be connected and bath system tested to be sure it is working properly before installing the posts, rail and skirt. The installation dimension from the sub-floor to the trimmed edge of the bath should be 18 inches. See Illustration 1.



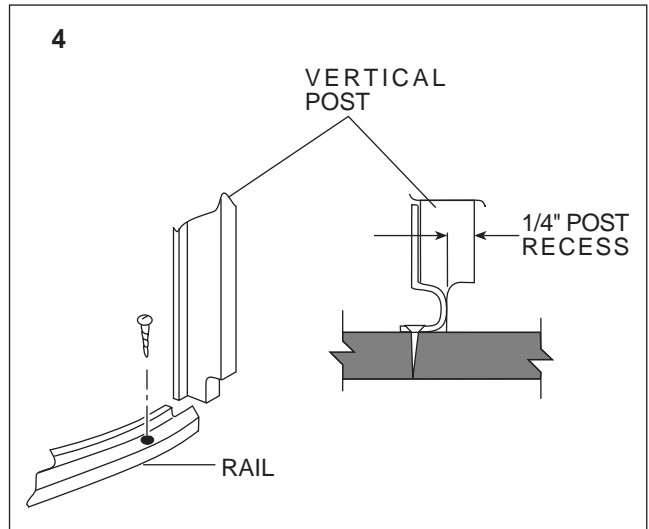
2. Mount the five shell clips to the wood blocks located under the bath rim. One example is shown in illustration 2. The shell clip is to be located about 1/4" from the inside of the bath rim edge (in each of five locations). Mark hole locations on the block using the clip as a template. Then drill pilot holes about 1/8" deep using a 3/32" drill bit. Use caution to avoid drilling through bath rim. Secure the clips to the wood blocks with screws as shown.



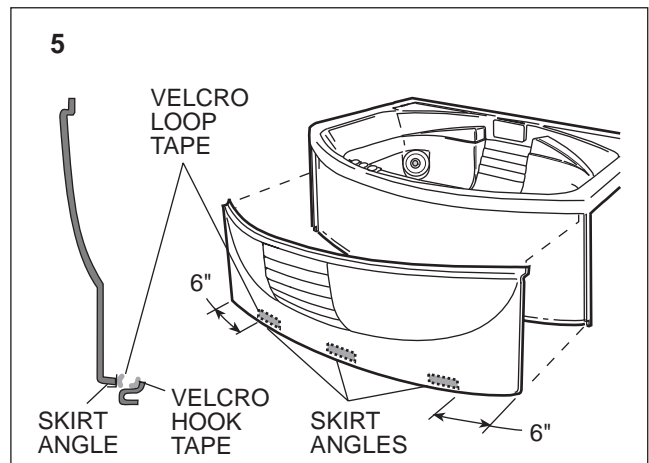
3. Insert posts under rim of bath corners in front of the wood blocks. (As shown in illustration 3.) Make sure bottom of posts are against the floor. Push top of posts against inside corners of the bath and fasten the tip of the posts to the wood blocks as shown using the metal brackets and fasteners provided. Check the vertical alignment of the posts with a square and fasten the bottom of the posts to the sub-floor as shown in illustration 3. It may be necessary to shim posts to obtain fit.



- Lay the rail on the floor between the two vertical posts. Locate the front surface of the rail in line with the bottom recess of the posts. (As shown in illustration 4.) Fasten the rail to the sub-floor using the five screws provided.



- Attach the skirt angles to the underside of the skirt. Clean the rail and the skirt angles in the areas where the strips of Velcro® tape will be placed. Clean rail and skirt angles with isopropyl alcohol. Remove liner from adhesive backing and apply the strips of Velcro® hook tape to the rail, 6" from each end and in the center. Then remove liner from adhesive backing and apply the strips of Velcro® loop tape to the skirt angles, 6" from each end and in the center. See illustration 5.



- Lift the top of the skirt up under the rim of the bath, center the skirt in the opening, then swing bottom of skirt onto rail. The Velcro® on the skirt (skirt angles) and the rail should mesh. See illustration 6.

