

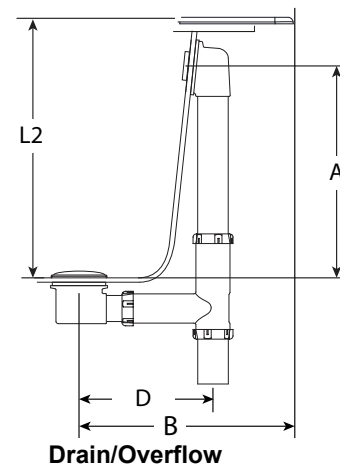
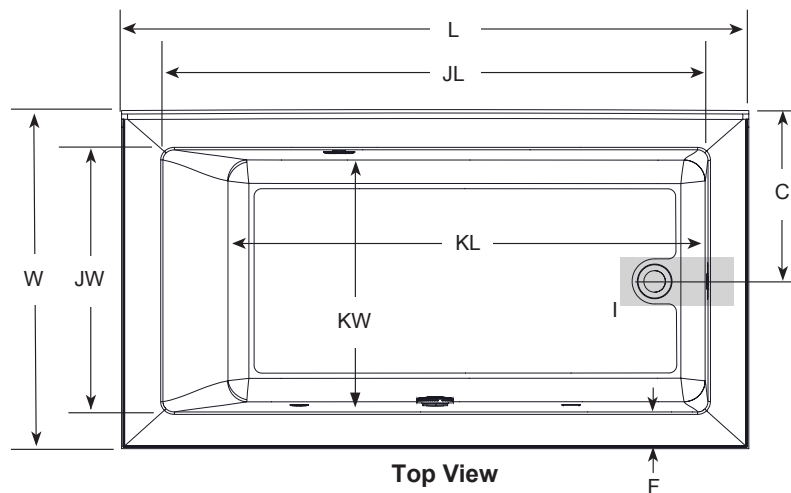
Linea® Technical Specifications for Heated Soak

Letter	Description	6030	6032	6036
-	Drain Location	LH/RH Drain		
-	Pump Location	LH/RH Pump		
-	Cutout Template	N/A		
-	Drop-in Cutout Dimensions (L x W)	N/A		
-	Total Weight	742 lbs (330 kg)	746 lbs (338 kg)	844 lbs (382.8 kg)
-	Floor Loading	58 lb/ft ² (283 kg/m ²)	56 lb/ft ² (278 kg/m ²)	55 lb/ft ² (270 kg/m ²)
-	Product Weight - Empty	69 lbs (31.3 kg)	70 lbs (31.75 kg)	76 lbs (34.5 kg)
-	Operating Gallons (Max)	51 gal (193 Liters)	53 gal (201 Liters)	62 gal (235 Liters)
-	Soaking Depth	15" (381 mm)		
L	Outer Length	60" (1524 mm)		66" (1676 mm)
W	Outer Width	30" (762 mm)	32" (813 mm)	36" (914 mm)
H	Overall Height	19.5" (495 mm)		
A	Overflow Height	17.5" (445 mm)		
B	Long Edge to Drain Center	9" (229 mm)		
C	Short Edge to Drain Center	15" (381 mm)	16" (406 mm)	18" (457 mm)
D	Drain Shoe Length	6.75" (171 mm)		
E	Flange Height	1.25" (32 mm)		
F	Deck Width*	3.5" (89 mm)		
G	Service Access Dimensions	No Service Access		
I	Floor Cutout for Drain	12" x 4" (305 mm x 152 mm)		
J	Interior Dimensions (top of bath) JW x JL	21" x 45" (533 mm x 1143 mm)	23" x 45" (584 mm x 1143 mm)	27" x 45" (686 mm x 1143 mm)
K	Interior Dimensions (bottom of bath) KW x KL	21.13" x 52.13" (534 mm x 1324 mm)	23.13" x 52.13" (588 mm x 1324 mm)	27.13" x 52.13" (689 mm x 1324 mm)
L2	Interior Depth- Drain End	18" (457 mm)	17" (432 mm)	
M	Backrest Angle	23°		

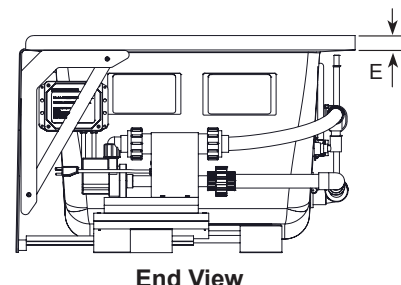
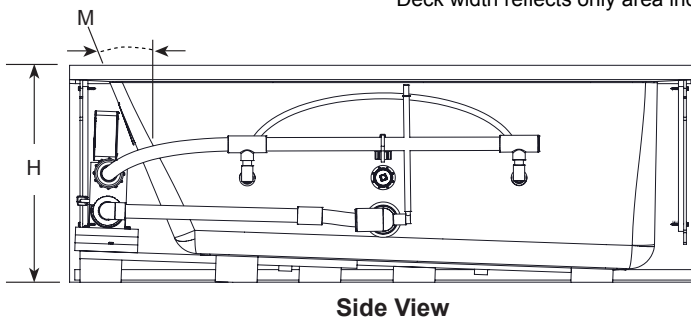
Each component requires a separate, dedicated GFCI protected circuit		
Model with components		GFCI Outlet (60Hz)
Heated Soak	Motor/Heater	120V/15A
	Motor/Heater w/ Chromotherapy	120V/15A

KEY DIMENSIONS* [NOTE: The overall dimensions are nominal with a tolerance of +0 and -.25" (6mm).]

*Left hand model shown. Right hand model is exact opposite.



*Deck width reflects only area indicated on detail.



Refer to installation instructions included with fixture before beginning installation. Please confirm product availability and specifications before commencing with any installation work.

PRODUCT SPECIFICATIONS AND AVAILABILITY ARE SUBJECT TO CHANGE WITHOUT NOTICE