

# ***Neo Steam Enclosure***

---

***SpeedStall™***

**INSTALLATION INSTRUCTIONS**



## Limited Warranty and Remedy

Jacuzzi Whirlpool Bath (the "Company") warrants to the original purchaser ("user"), that the enclosures and frames supplied by it shall be free from material defects in material and workmanship for a period of one (1) year after purchase by the user, provided they are installed and maintained according to the Company's recommended practices and installation instructions. The Company shall be promptly notified in writing of such defects. The sole and exclusive remedy with respect to the above warranty or with respect to any other claim relating to defects or any other condition or use of the products supplied by the company, however caused, and whether such claim is based upon warranty contract, negligence, strict liability, or any other theory, is limited to repair or replacement of such products.

The Company does not make any other representation or warranties, express or implied, but not limited to, any implied warranty of merchantability and any implied warranty of fitness for a particular purpose. (In some states limitations on implied warranties or consequential damages may not apply). IN NO EVENT SHALL THE COMPANY BE LIABLE FOR SPECIAL, DIRECT, INDIRECT OR CONSEQUENTIAL DAMAGES, INCLUDING, BUT NOT LIMITED TO, LOSS OR USE OF PROFITS.

Our warranty does not cover defects, damage or failure caused by the common carrier, installer, user, or other person, or resulting from, without limitation, any of the following: careless handling; modification of any type for any reason (including modification to meet local codes); improper installation (including not in accordance with instructions and specifications provided with the product); misuse; use of abrasive or improper cleaners; acts of God, such as lightning, floods, earthquakes, etc.

Warranty coverage is provided in the United States of America only.

### **Responsibilities of others include:**

1. Inspecting the product prior to installation is the responsibility of the installer of building contractors who acts on behalf of the user. They are responsible for ensuring the product is free of defect or damage. Notices are placed on the product and on the shipping carton advising the installer of this responsibility. In the event of a problem, the product must not be installed. The Company is not responsible for failures of damage that could have been discovered, repaired or avoided by proper inspection prior to installation.
2. Damage occurring in transit is the irresponsibility of the carrier. The user or installer MUST open the crate and inspect the product for damage when delivered. If damage is discovered, it must be reported immediately to the seller and the carrier in writing, and an inspection requested. Failure of the carrier to respond should be reported to the seller and the carrier. Your freight claims should be filed promptly thereafter.
3. Damage occurring to the product during installation is the responsibility of the installer and/or building contractor and damage occurring thereafter is the responsibility of the user.
4. The distributor or dealer is responsible for knowing local code requirements and notifying the installing contractor and/or user of these requirements at the time of purchase. Laws and building and safety codes governing the design and use of bath enclosures vary widely. The Company does not control the selection of product configurations, operation hardware or glazing materials, and assumes no responsibility therefor. The Company is not responsible for costs to modify any product to obtain any code approval, such as city, county, or state building codes.

The company's warranty obligation shall be discharged upon tender of replacement or repair. The customer's refusal to accept the tender terminates the Company's warranty obligation.

Dealers agree to pass on to its customers and users in writing the company's Warranty and Remedy as set forth above.

## **Important: Read complete instructions before beginning installation.**

Remove the unit carefully from the carton. Retain the shipping carton until satisfactory inspection of the product has been made. Lay out and identify all parts using the installation instructions as reference. Check the carton for small hardware bags that tend to fall to the bottom of the carton.

Handle the glazed panels carefully and protect the edges. Safety tempered glass is very resistant to breakage, but it can be broken by banging the edges against a hard surface. Do not remove any protective devices until you are ready to install the glazed panels as the sharp corners of the panels can damage tile and floor surfaces.

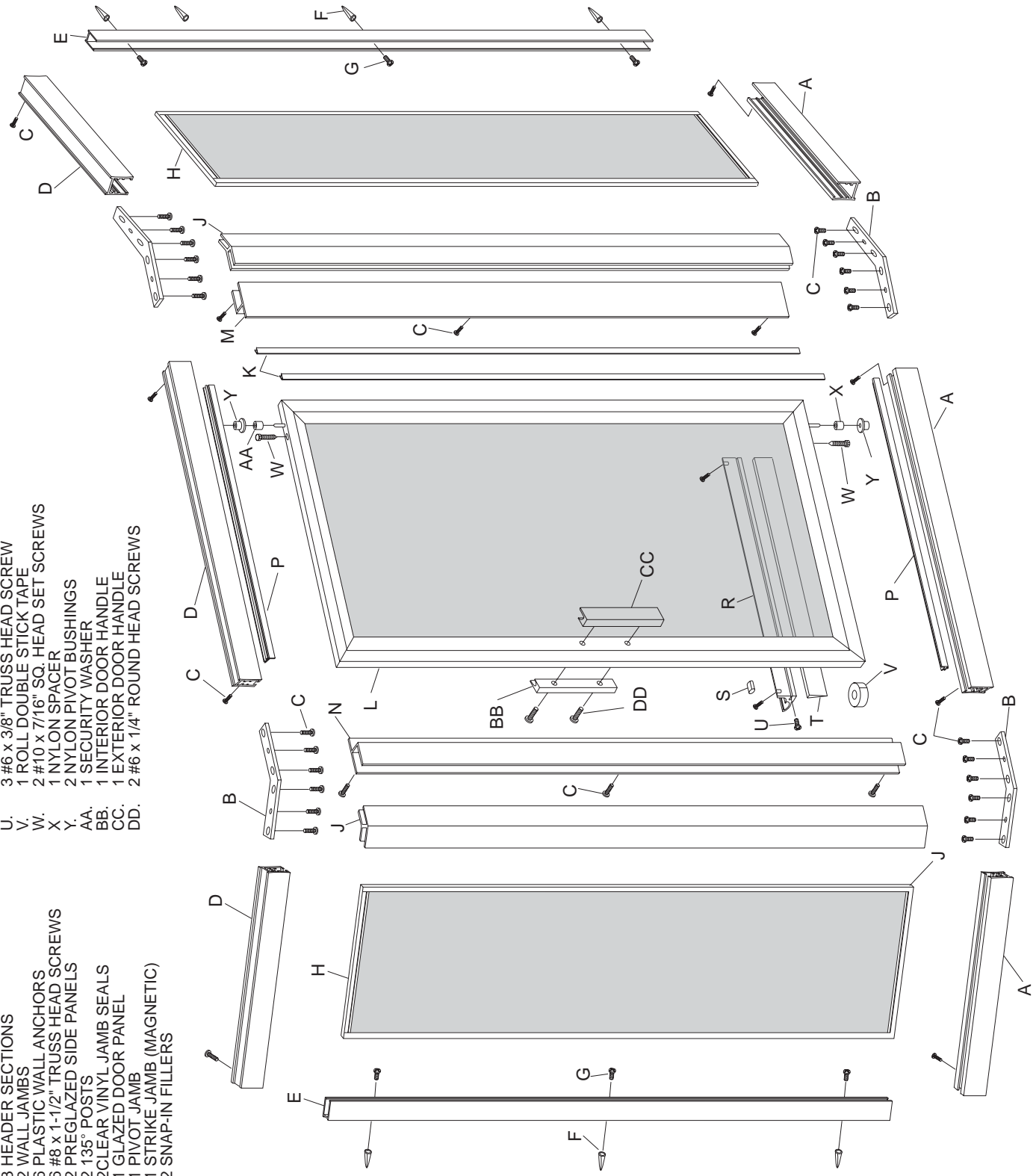
Wear safety glasses whenever drilling or cutting. When drilling holes in ceramic tile or marble, use a center punch and hammer to carefully break the surface glaze so the drill can start without skidding.

Tools required:

1. Tape measure
2. Level
3. #2 Phillips screwdriver
4. Drill and 1/8", 3/16" drill bits
5. 3/16" wrench
6. Hacksaw
7. Mallet or hammer
8. Razor or sharp knife
9. Pencil
10. Glass cleaner
11. Caulk (clear silicon recommended)
12. Optional: miter box, files, center punch and masking tape

- A. 3 CURB SECTIONS
- B. 4 135° ANCHOR PLATES
- C. 30 #8 x 1/4" TRUSS HEAD SCREWS
- D. 3 HEADER SECTIONS
- E. 2 WALL JAMBS
- F. 6 PLASTIC WALL ANCHORS
- G. 6 #8 x 1-1/2" TRUSS HEAD SCREWS
- H. 2 PREGLAZED SIDE PANELS
- I. 2 135° POSTS
- J. 2 CLEAR VINYL JAMB SEALS
- K. 1 GLAZED DOOR PANEL
- L. 1 PIVOT JAMB
- M. 1 STRIKE JAMB (MAGNETIC)
- N. 2 SNAP-IN FILLERS

- P. 1 DRIP RAIL
- Q. 1 DRIP PLUG
- R. 1 TAPERED DRIP VINYL
- S. 3 #6 x 3/8" TRUSS HEAD SCREW
- T. 1 ROLL DOUBLE STICK TAPE
- U. 2 #10 x 7/16" SQ. HEAD SET SCREWS
- V. 1 NYLON SPACER
- W. 2 NYLON PIVOT BUSHINGS
- X. 1 SECURITY WASHER
- Y. 1 INTERIOR DOOR HANDLE
- AA. 1 EXTERIOR DOOR HANDLE
- BB. 2 #6 x 1/4" ROUND HEAD SCREWS
- CC. 2 #6 x 1/4" ROUND HEAD SCREWS
- DD. 2 #6 x 1/4" ROUND HEAD SCREWS

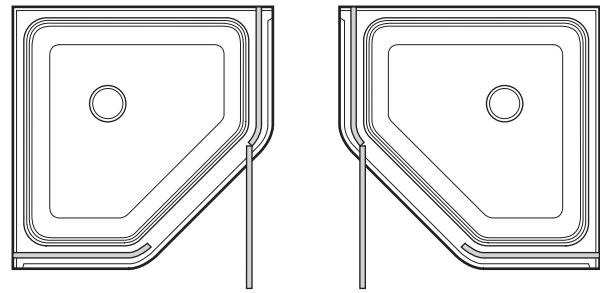


## Step 1

The Jacuzzi Whirlpool Bath Steam Enclosure is completely reversible and may be installed pivoting left or right (hinge left or hinge right). For maximum waterproofing, the pivot jamb should be opposite the shower head. Using the figure, determine the correct position for the door in your particular installation. This installation instruction depicts a pivot right (hinge right) installation.

**NOTE:** Fixed glass panel size should be determined by the dimension chart in the shower base installation instructions.

**CAUTION:** For safety reasons, the door panel must always open **outward**.



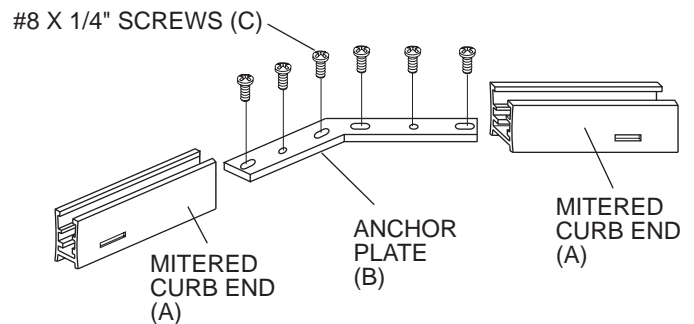
PIVOT RIGHT  
(HINGE RIGHT)

PIVOT LEFT  
(HINGE LEFT)

## Step 2

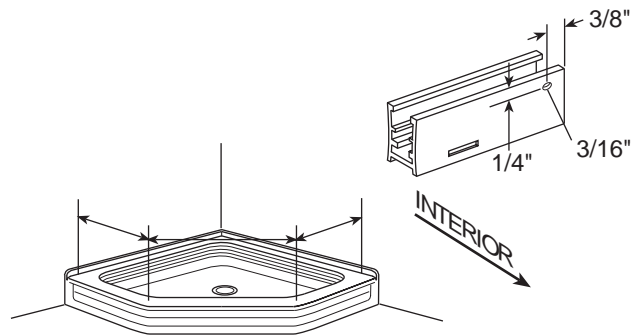
Assemble the 3 curb sections (with weep slots) by sliding 2 135° anchor plates into the mitered ends and forcing the sections together. The weep slots in the curbs must be facing to the inside. Screw four #8 x 1/4" truss head screws (C) through the slots in the anchor plates into the curbs. As you tighten the screws, be sure the mitered ends are forced tightly together. To increase the rigidity of the mitered joints, drill 1/8" holes and install two more screws through the round holes into the curb through the round holes in the anchor and install two more #8 x 1/4" screws.

Assemble the 3 header sections (D) in the same manner and set the assembly aside.



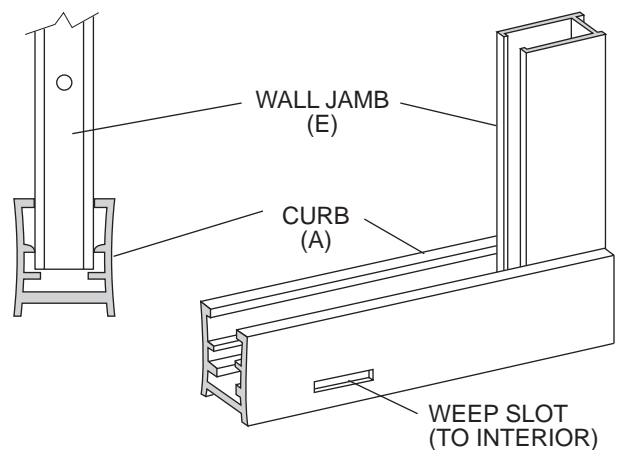
## Step 3

Measure the opening along the threshold of the shower base and trim the ends of the curb assembly (with weep holes) to fit. The curb should sit near the centerline of the threshold. If required, use a file to round the lower ends of the curb assembly to fit the shower sill properly. Drill a 3/16" hole on the interior face of the curb assembly. Reposition the curb assembly on the threshold. Mark this position on the shower base with a pencil line along the interior and exterior of the curb assembly.



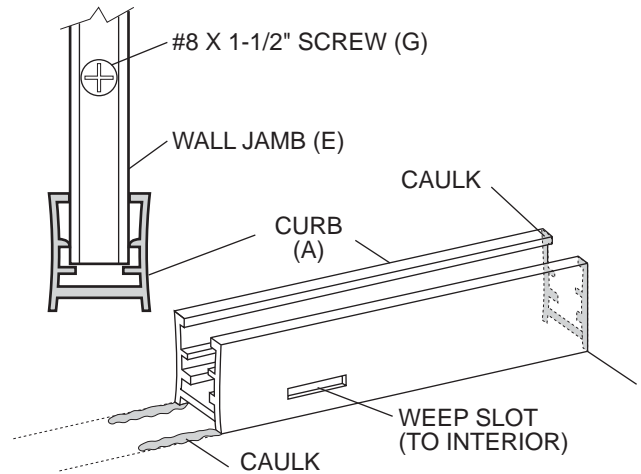
## Step 4

Place the 2 wall jambs (E) into the ends of the curb assembly. Masking tape may be used to hold the curb in place. Plumb the jambs and mark the hole locations on the wall. Remove parts and drill walls for mounting hardware. For tile or marble walls, drill six 3/16" diameter holes and insert plastic anchors (F). For fiberglass or acrylic units that are reinforced, drill six 1/8" holes directly into reinforcement. For units that are not reinforced, drill six 3/16" holes and install plastic wall anchors (F) or toggle bolts (toggle bolts not supplied).



## Step 5

Wipe the shower walls and threshold, curb assembly and wall jambs with a clean, dry cloth to remove any dust or debris. Apply a 1/4" bead of caulk along the inside of both pencil lines marked in Step 3. Carefully replace the curb in the position marked. Caulk the inside of the curb ends where they meet the wall. Caulk generously around the anchor plates, screws and the inside of the mitered joints. Replace both wall jambs and attach to the walls with six 8 x 1/2" truss head screws (G).

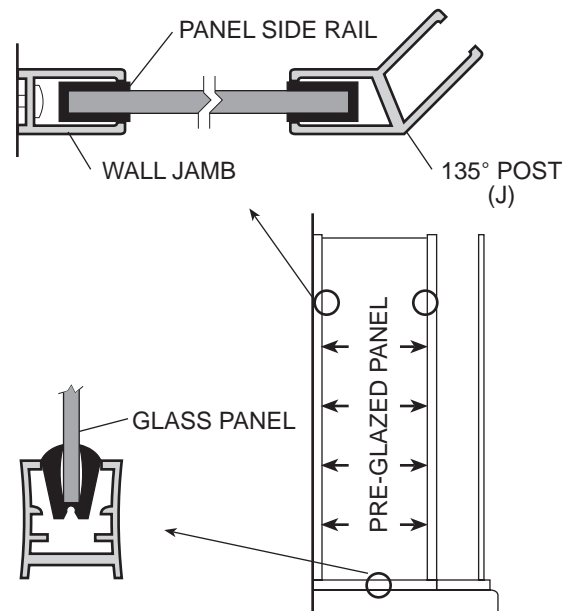


## Step 6

**NOTE:** Obscure or textured glass panels should be installed with the rough surface to the exterior of the unit. Deco or etched glass panels should have the pattern surface facing the inside.

Snap one of the side panels (H) into the curb next to the wall jamb. Slide the panel over into the wall jamb. Press a 135° post into the curb. Slide the side panel across until it is centered between the wall jamb and post. Use masking tape to hold the post in position. Repeat for the other side panel and 135° post.

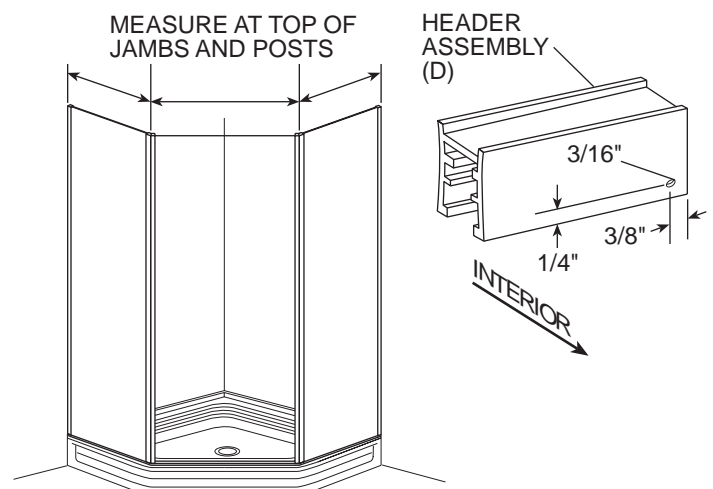
**Note:** Apply several small dabs of caulk to both sides of the panel rails (see arrows) before setting into place. This will help rattles caused by metal to metal contact.



## Step 7

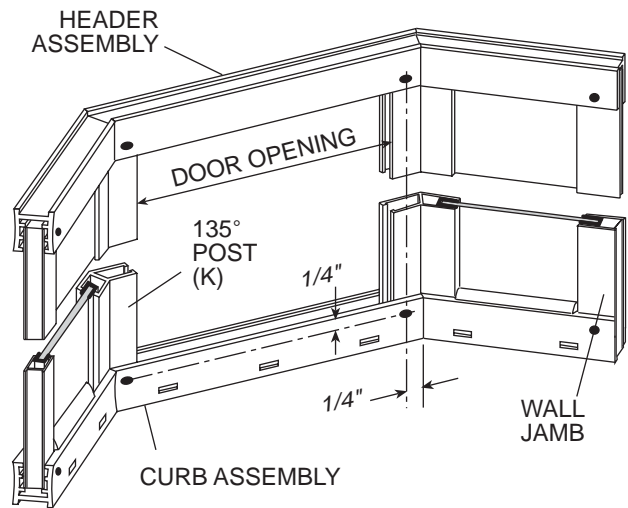
Hold the two 135° posts plumb and carefully measure horizontally from the top of each wall jamb to the outside corner of each post. Add 3/16" to each measurement to find the corresponding dimension on the header assembly (from the outside mitered corners to the squared ends) and trim the header assembly to fit.

Using a 3/16" bit, drill the interior face of the header assembly on both end as shown.



## Step 8

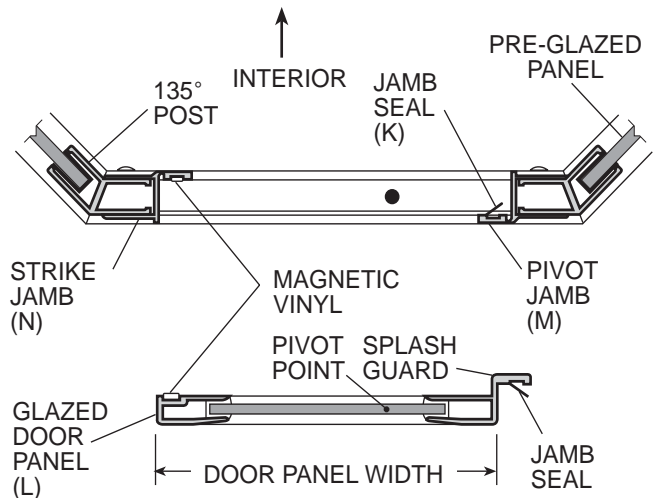
Press the header assembly over the wall jambs, the 135° posts and the pre-glazed panels. Check the posts for plumb. Adjust as required by varying the overlap of the header over the wall jambs. Trim the ends of the header where it meets the wall if necessary. The minimum horizontal dimension for the door opening is the door panel width (see Step 9 illustration) plus 3/4"; the maximum is the door panel width plus 1-3/4". Using the holes in the ends of the header and curb as a guide, drill four 1/8" holes into the wall jambs. Drill four 1/8" holes through the header and curb into the two posts as shown, then enlarge the four outer holes with a 3/16" drill for clearance on the self-tapping screws. Secure the header and curb to the wall jambs and posts with eight #8 x 1/4" truss head screws (C).



## Step 9

Strip two clear vinyl jamb seals into the door panel splash guard and the pivot jamb. Trim flush at ends. Both vinyls should be turned to trap water from the shower head. Secure the vinyls with a small quantity of glue or caulk at each end or by carefully crimping the vinyl pocket. Set the door panel aside. Press the pivot jamb and strike jamb (with magnetic strip) over the two 135° posts. Refer to Step 1 for proper handling of the door.

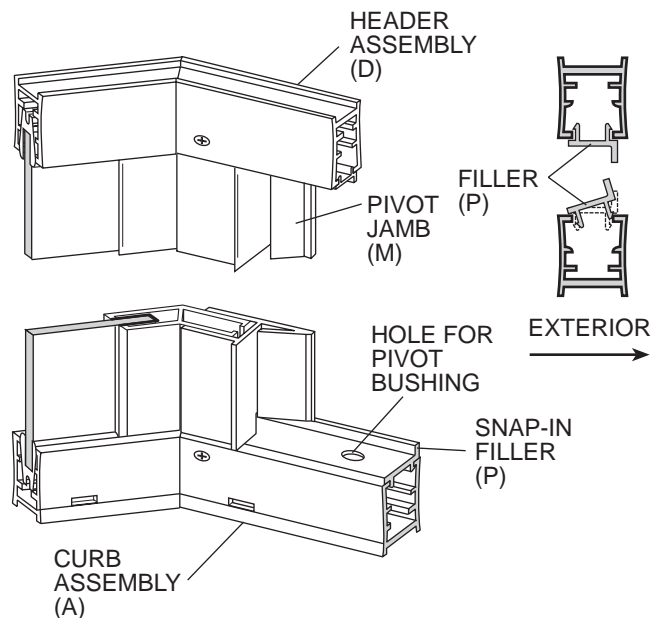
NOTE: The magnetic strip on the strike jamb must face the exterior and the clear vinyl jamb seal on the pivot jamb must face inward.



## Step 10

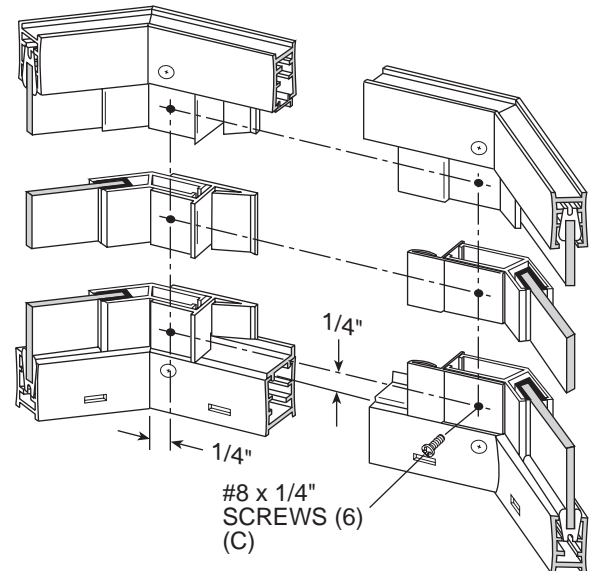
Snap the fillers into the curb assembly and header assembly between the door jambs with the raised lip to the exterior and the pivot holes toward the pivot jamb. Center the curb filler in the curb between the pivot and strike jamb use masking tape to hold in position).

NOTE: The snap-in fillers should be exactly 3/8" longer than the door width.



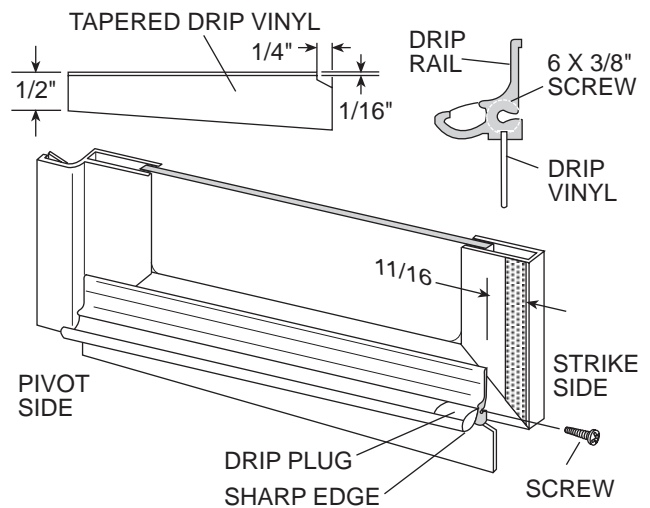
## Step 11

Pull the bottom end of the pivot jamb tight to the curb filler and plumb the jamb. Drill two 1/8" holes through the pivot jamb and into the 135° post in line with the screws in the header and approximately 1/4" vertically from the ends of the jamb. Drill a third hole centered between the first two. Attach the pivot jamb permanently with three 8 x 1/4" truss head screws. Slide the header filler tight against the pivot jamb. Push the strike jamb tight against the fillers top and bottom. With the pivot jamb plumb and both fillers tight between the two door jambs, the strike jamb will also be plumb and parallel to the pivot jamb. Attach the strike jamb to the other 135° post in the same manner as the pivot jamb.



## Step 12

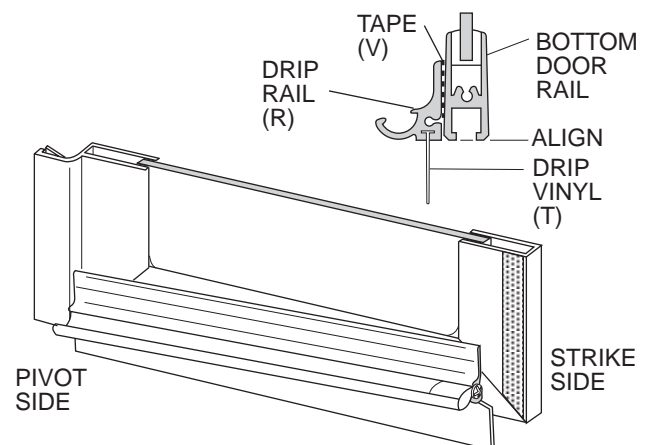
The drip rail may be attached with tape or screws. For tape application, cut the drip rail to the length of the door rail minus 11/16", cutting off both slotted ends. To attach with screws, cut the drip rail to length as above, but keep the slot on the strike side. (See Step 13 alternate.) Push the vinyl drip plug into the strike side of the drip rail. Cut the tapered vinyl 1/4" longer than the drip rail (the narrow end of the vinyl should be 1/2" wide). Notch the drip vinyl as shown on the strike end. Slide it into the drip rail and secure it with a #6 x 3/8" truss head screw on the strike end of the drip rail. Round sharp edges with a file.



## Step 13

### ATTACHING DRIP RAIL WITH TAPE

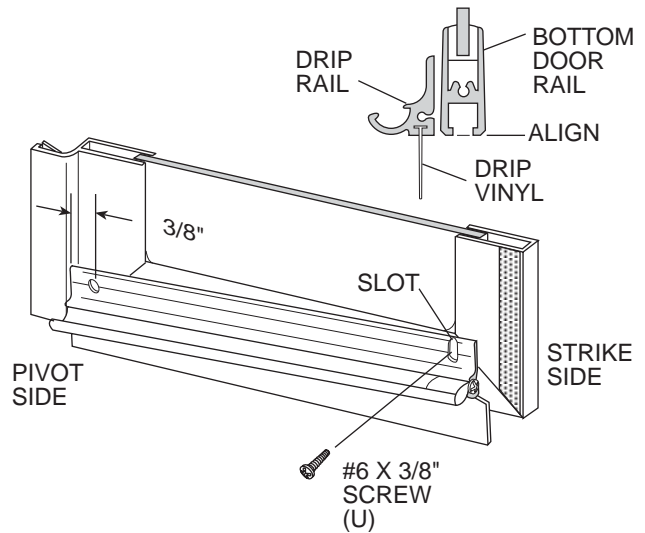
Clean the bottom door rail and the drip rail thoroughly to ensure proper adhesion. Unroll the double sided stick tape and carefully apply it to the back of the drip rail. Do not peel the tape backing yet. Position the drip rail flush with the bottom and pivot side of the glazed door panel. Then raise the strike side until the bottom edge of the tapered drip vinyl is parallel to the bottom of the door. Mark the location of each end of the drip rail. Peel the tape backing and press the drip rail to the door in the marked position.



## Step 13 ALTERNATE

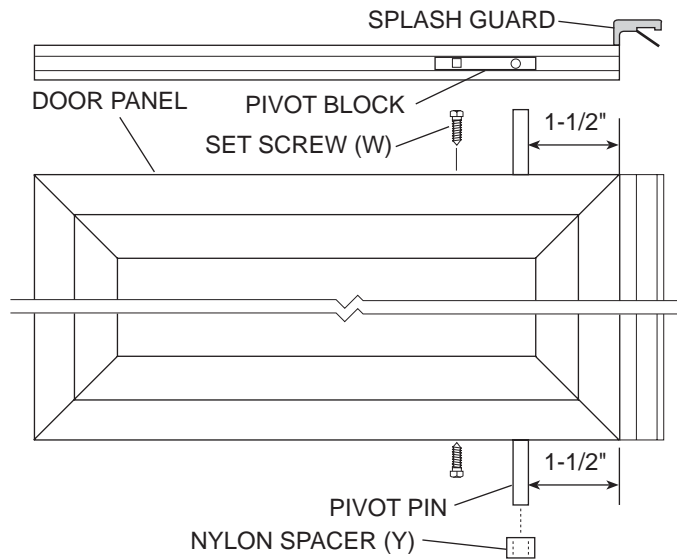
### ATTACHING DRIP RAIL WITH SCREWS

Position the drip rail flush with the bottom and pivot side of the glazed door panel. Drill a 1/8" hole through the drip rail into the bottom rail on the pivot side. On the strike side, drill another 1/8" hole at the highest point of the slot on the drip rail. Attach the drip rail loosely using two #6 x 3/8" truss head screws. Adjust the drip rail so that it slopes down toward the pivot side with the bottom edge of the tapered drip vinyl parallel to the bottom of the door. Tighten the two attachment screws.



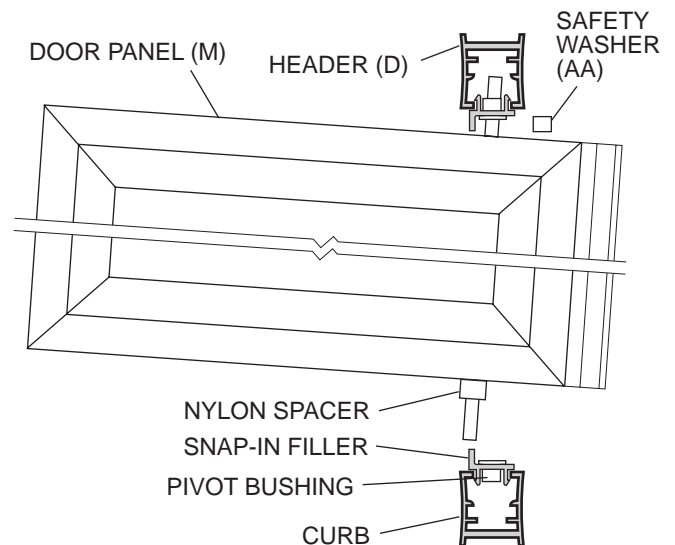
## Step 14

Insert the two #10-24 x 7/16" square head set screws into the threaded holes in the pivot blocks in the top and bottom rails of the glazed door panel. Position the pivot pins 1-1/2" from the pivot side of the door (the side opposite the magnetic strip). Tighten the set screws just enough to prevent the pivot blocks from moving (finger tight plus a quarter turn). A 3/16" wrench (not supplied) will fit the set screw heads. Press the white nylon spacer over the bottom pivot pin on the door panel.



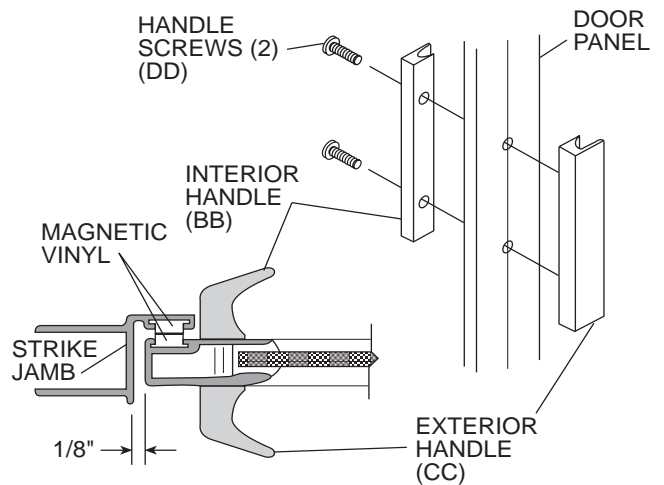
## Step 15

Insert the two nylon pivot bushing into the pivot holes in the head and curb fillers. Lift the door panel and insert the top pivot pin into the pivot bushing in the header filler. Hold the door vertical and insert the bottom pivot pin into the pivot bushing in the curb filler. It may be necessary to remove the header retaining screws and raise the header slightly to install the door. When the door has been set in place, snap the safety washer over the top pivot pin to hold the upper pivot bushing in place and prevent accidental dislodging of the door.



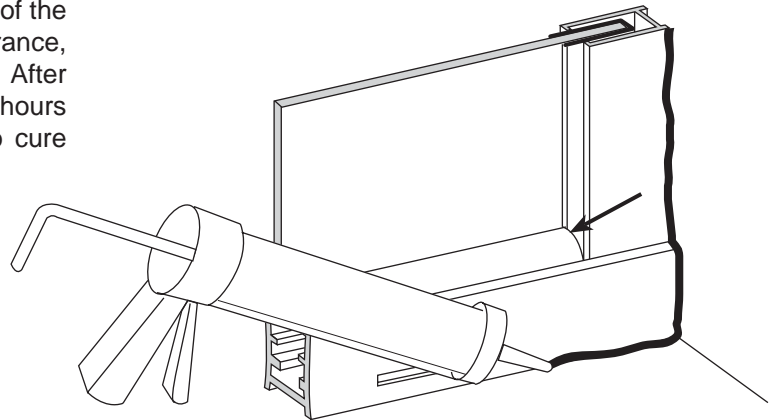
## Step 16

Attach interior door handle and exterior door handle to the door panel with two #6-32 x 1-1/4" round head screws. Close the door and check the clearance with the strike jamb. If necessary loosen the set screws on the top and bottom slide bars and adjust the door panel to align the strike magnets. When the door panel is properly aligned, tighten the set screws securely.



## Step 17

Carefully caulk the interior jamb-to-wall and curb-to-base joints. Caulk the small gaps at the corners of the side panels (see arrow on illustration). For appearance, you may want to caulk the exterior joints as well. After caulking it is recommended waiting twenty-four hours before the first shower to allow the caulking to cure properly.



---

**Care and Cleaning:** The simplest and preferred method of cleaning your unit is by washing it with clean water and drying with a soft cloth. If soil is still present after drying, a nonabrasive cleanser with a pH of seven to eight may be used. Comet Bathroom Cleaner® has been tested and is recommended by the Bath Enclosure Manufacturers Association (BEMA). Do not use scouring pads, sharp instruments, or acid-based cleansers to clean the unit.



**PRODUCT SPECIFICATIONS ARE SUBJECT TO CHANGE WITHOUT NOTICE.  
USE INSTALLATION INSTRUCTIONS SUPPLIED WITH PRODUCT.**

Jacuzzi Whirlpool Bath has obtained applicable code (standards) listings generally available on a national basis for products of this type. It is the responsibility of the installer/owner to determine specific local code compliance prior to installation of the product. Jacuzzi Whirlpool Bath makes no representation or warranty regarding, and will not be responsible for any code compliance.

---

**Jacuzzi Whirlpool Bath**  
P.O. Box 702168, Dallas, TX 75370-2168  
**Service Support:** (800) 288-4002



Printed on Recycled Paper

©1996 Jacuzzi Whirlpool Bath J991000 8/13/04

Printed in the U.S.A.