



# Fiore™ Corner Whirlpool Bath

- T601** Fiore™ Corner Whirlpool Bath  
Right Hand
- G930** Fiore™ Corner Whirlpool Bath, Skirted  
Right Hand

- Center Drain Location
- Accessories / Hardware:
  - Rotary Drain Kit, 30" Cable: #K606
  - Trim Kit: 2 X BMH Jet Rings: #J869
  - Trim Kit: 4 X HTA Jet Rings,
  - 2 Control Panel Overlays: #A849
  - Trim Kit: 2 Water Rainbow® Fill Spout Covers, 3 Faucet Handles: #A852
- Trim Kit Finishes Available:
  - (827) – Chrome
  - (898) – Brushed Chrome
  - (815) – Satin Nickel
  - (829) – Bright Brass
  - (805) – Platinum
  - (826) – Brushed Nickel
  - (845) – Oil Rubbed Bronze

## INSTALLATION NOTES

Refer to installation instructions included with fixture before beginning installation. Please confirm product availability and specifications before commencing with any installation work.

PRODUCT SPECIFICATIONS AND AVAILABILITY ARE SUBJECT TO CHANGE WITHOUT NOTICE.

## Technical Specifications

### DIMENSIONS

66" L x 66" W x 27-1/4" H  
(1676) mm L x (1676) mm W x (686) mm H

### DRAIN/OVERFLOW

A: 17-5/8" (448 mm) B: 25" (635 mm)

### CUTOUT

T601: Template provided  
G930: NA

### TOTAL WEIGHT

1058 lb. (480 kg) / 35 lb/ft<sup>2</sup> (171 kg/m<sup>2</sup>)

### OPERATING GALLONAGE

70 U.S. Gal. (265 Liters)

### PRODUCT WEIGHT

225 lb. (102 kg)

### SKIRT MOUNTING

T601: NA  
G930: Included

### ELECTRICAL SPECIFICATIONS

**Requires a dedicated GFCI protected separate circuit.**

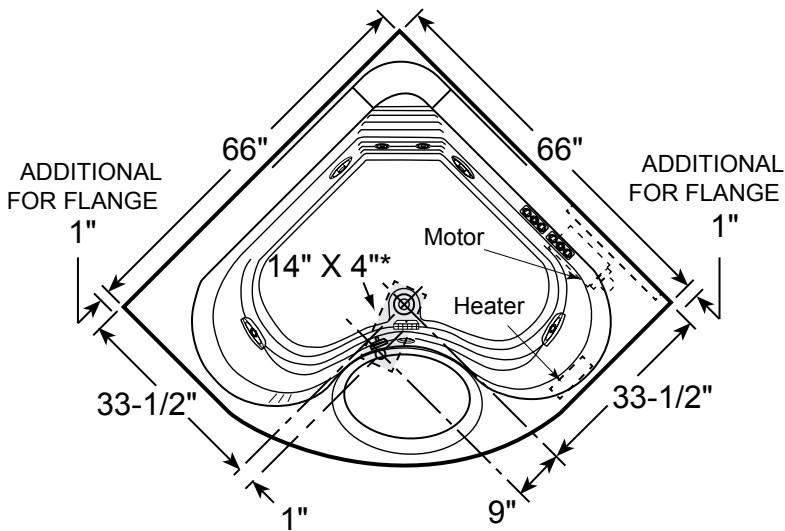
Motor/Pump: 120 VAC, 20 AMP, 60 Hz.

RapidHeat™: 120 VAC, 15 AMP, 60 Hz.

### HEATER (STANDARD)

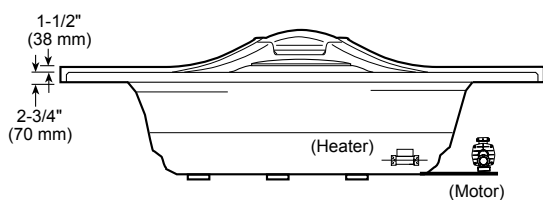
**Requires a dedicated GFCI protected separate circuit.**

RapidHeat™: P/N S750000



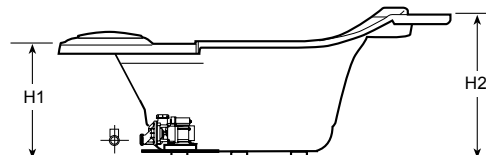
Product Shown: Fiore™ Corner Whirlpool Bath Model: T601

\* Measurements inside unit represent cutout in floor to allow for drain/overflow.

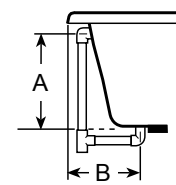


SIDE VIEW

FIORE



END VIEW



DRAIN/OVERFLOW