

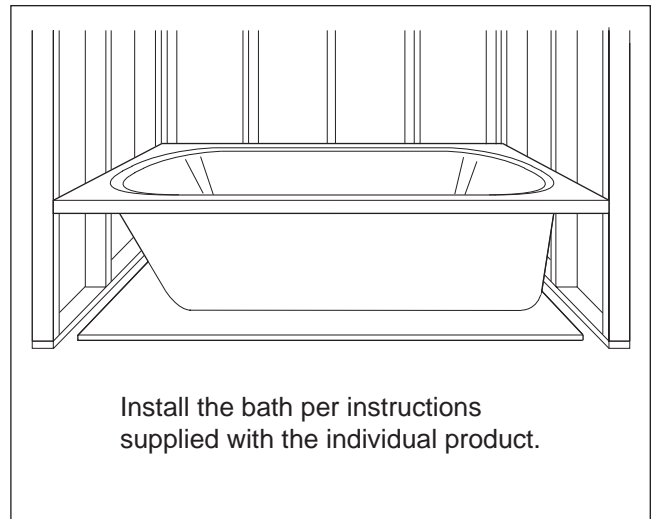
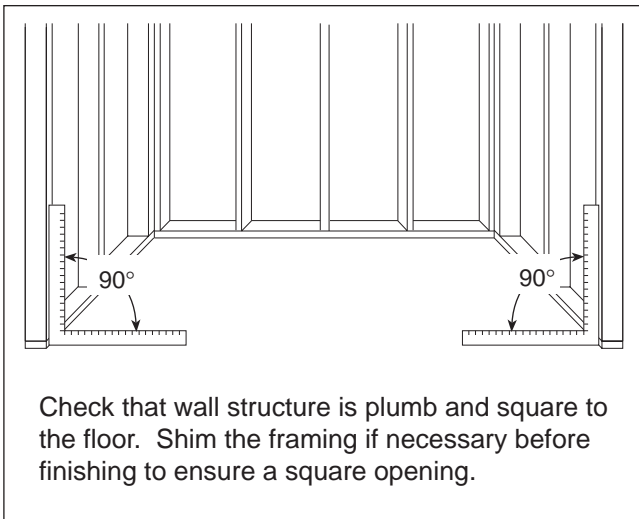
# Post and Rail Style Skirt Installation Instructions

**Important: Read all instructions before beginning installation.**

Follow these steps to ensure that the bath skirt fits properly.

The optional skirt is designed to allow the minimum service access necessary to the motor/pump and plumbing of the bath.

Allow clearance of at least 8" in front of bath for skirt removal. The skirt should be attached after the bath has been installed.

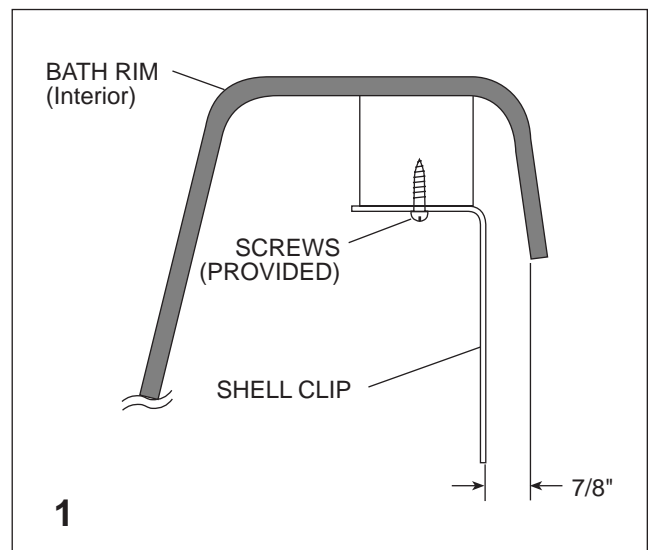


## Bath Skirt Installation

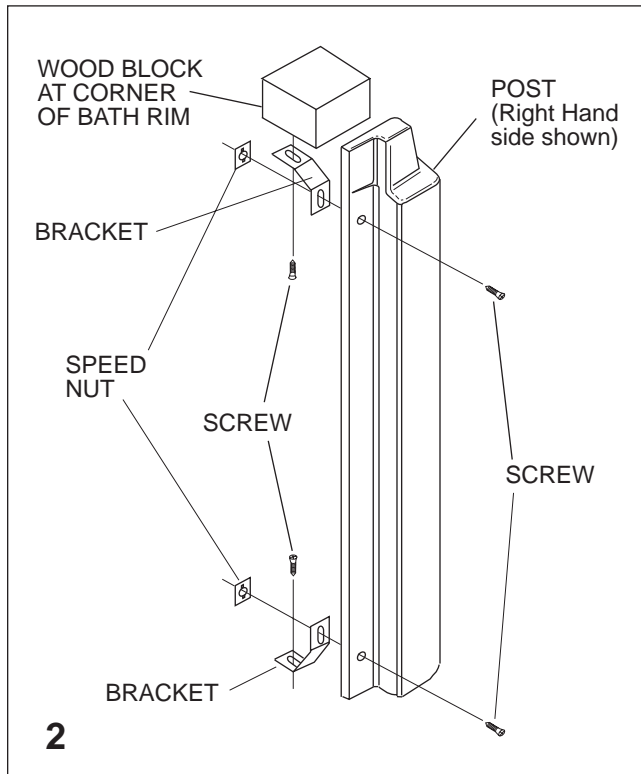
The bath should already be set and levelled. Electricity should be connected and bath system tested to be sure it is working properly before installing the skirt.

Mount the shell clip to the wooden block located under the bath rim at the center of the rim. (As shown in illustration 1.) The shell clip is to be located about 7/8" from the inside of the bath rim edge. Mark hole locations on the block using the clip as a template. Then drill pilot holes about 1/8" deep using a 3/32" drill bit. **Use caution to avoid drilling through bath rim.** Secure the clip to the wooden block with screws as shown.

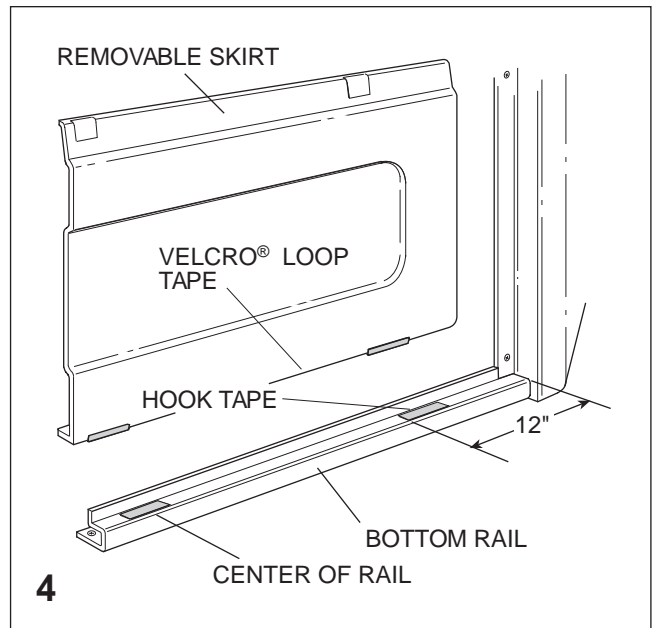
Insert posts under rim of bath corners in front of the wood blocks, as shown in illustration 2. Make sure bottom of posts are against the floor. Push top of posts against inside corners of the bath and fasten the tip of the posts to the wood blocks as shown using the metal brackets and fasteners provided. Check the vertical alignment of the posts with a level and fasten the bottom of the posts to the floor as shown.



Mount shell clip to rim at center of bath.

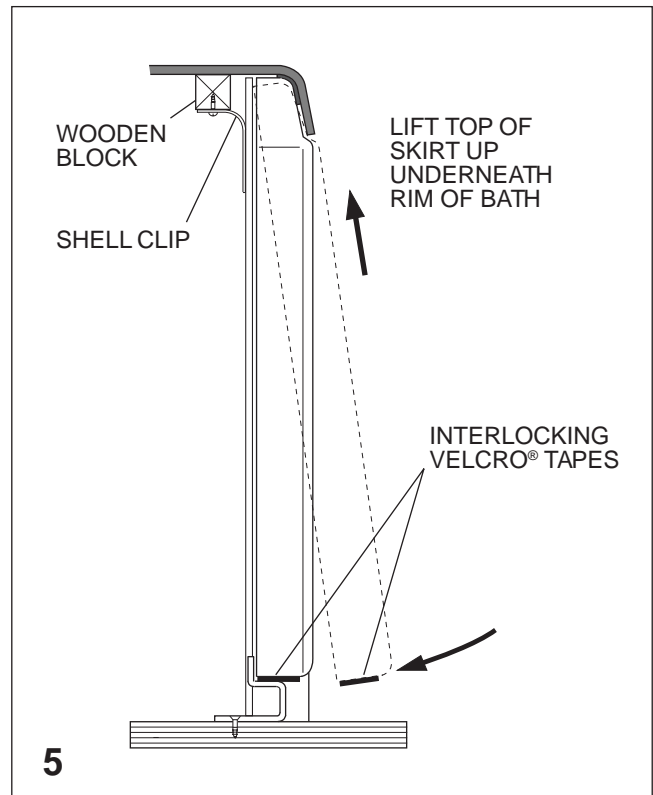
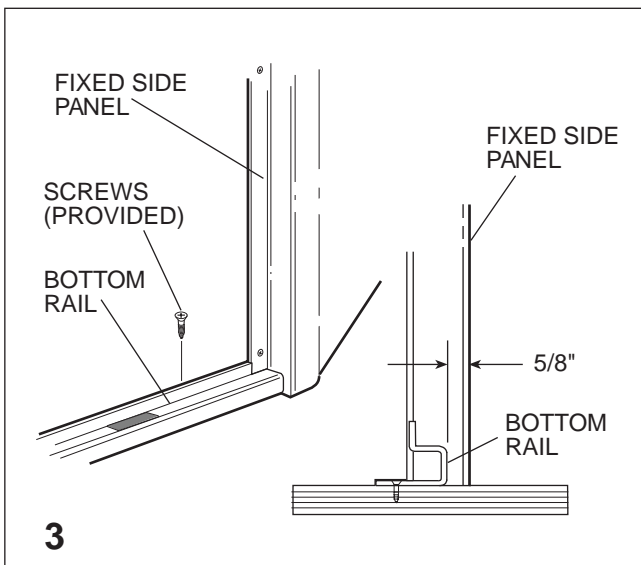


the bottom of the skirt, 12" from each end and in the center, so that they will attach to the bottom rail when the skirt is installed.



Lay the bottom rail on the floor between the two vertical posts. Locate the front surface of the bottom rail 5/8" behind the front surface of the vertical posts as shown in illustration 3. Fasten the bottom rail to the floor using the screws provided.

Lift the top of the skirt up under the rim of the bath, center the skirt in the opening, then swing bottom of skirt toward the rail and lower skirt onto rail. The Velcro® on the skirt and the bottom rail should mesh.



With isopropyl alcohol, clean an area 2" long (6 places) on the rail and bottom edge of the skirt. These locations should be at the center line and 12" from each end of both parts; (see illustration 4.) Remove liner from adhesive backing and apply the strips of Velcro® hook tape to the bottom rail, 12" from each end and in the center, as illustrated. Apply strips of Velcro® loop tape to