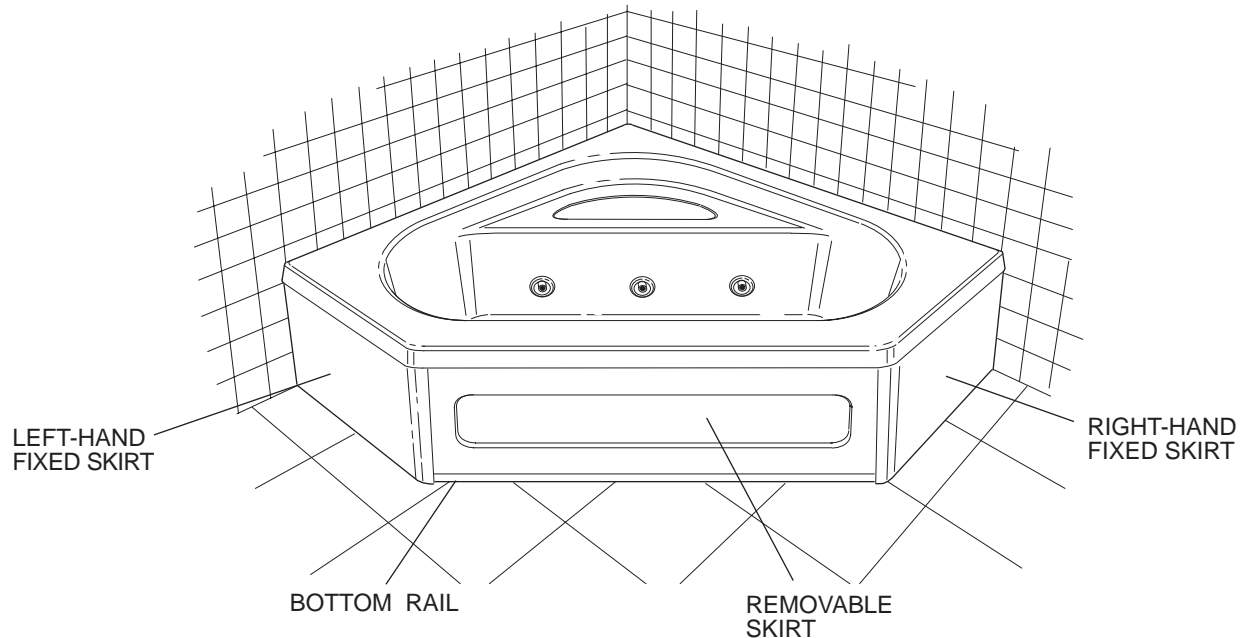


# 5' Corner Style Bath Skirt

## Installation Instructions

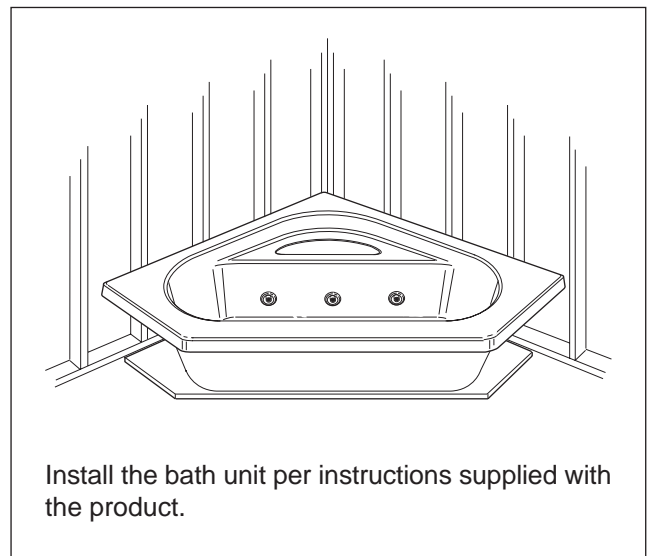
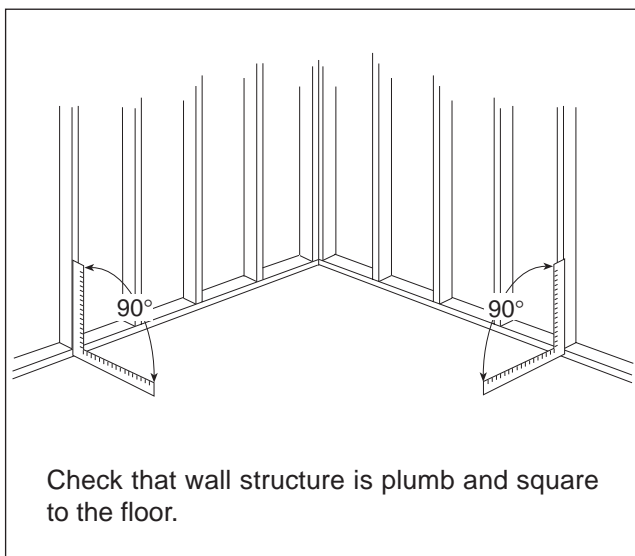
---



The optional skirt is designed to allow the minimum service access necessary to the motor/pump and plumbing of the bath and consists of three pieces; left-hand fixed, right-hand fixed, and removable front panel, along with the necessary bottom rail and hardware for installation. (See the Illustration above.)

Allow clearance of at least 8" in front of the bath for skirt removal. The skirt should be attached after the bath has been installed.

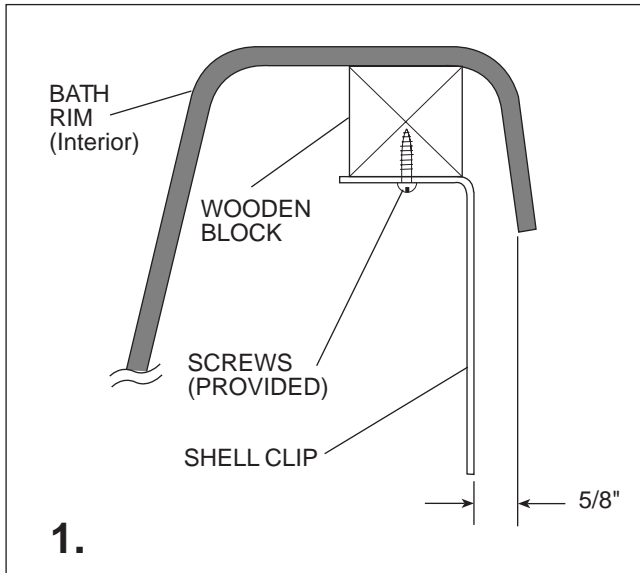
As part of the roughing-in of the bath, follow these steps to ensure that the bath skirt fits properly.



# Bath Skirt Installation

The bath should already be set and leveled. Electricity should be connected and bath unit tested to be sure it is working properly before installing the skirt.

Mount the five shell clips to the wooden blocks located under the rim of the bath. (See Illustration 1.) Shell clips are to be located 5/8" from the inside of the bath rim edge. Mark hole locations on the blocks using one of the clips as a template. Then drill pilot holes about 1/8" deep with a 3/32" drill. Use caution to avoid drilling through bath rim. Secure the clips to the wooden blocks as shown.



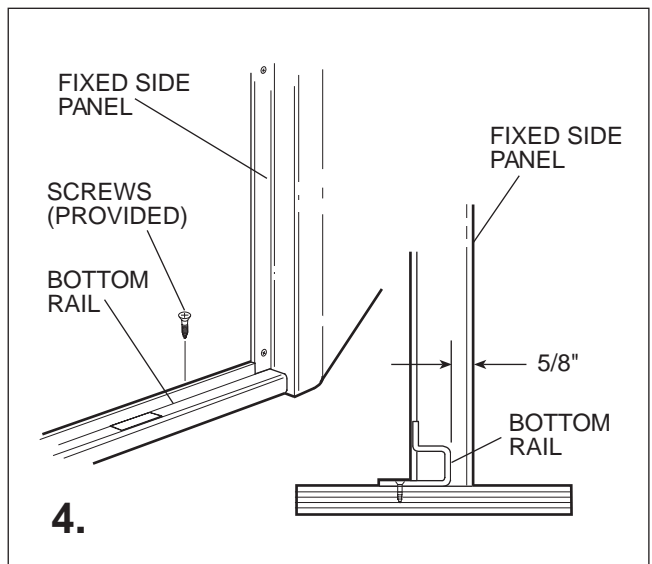
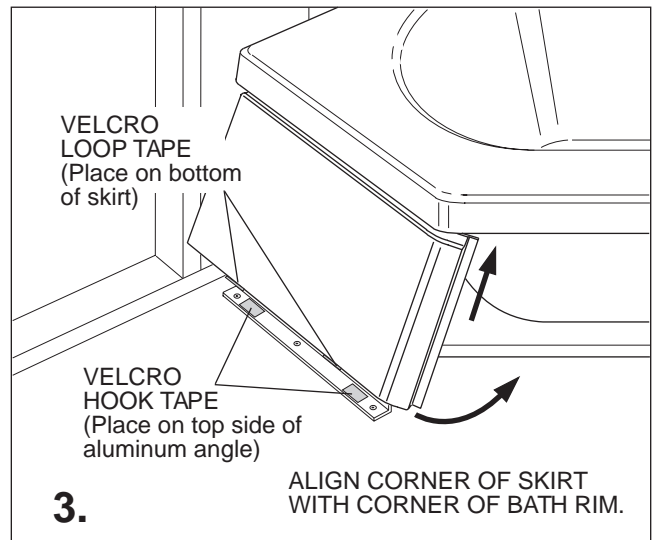
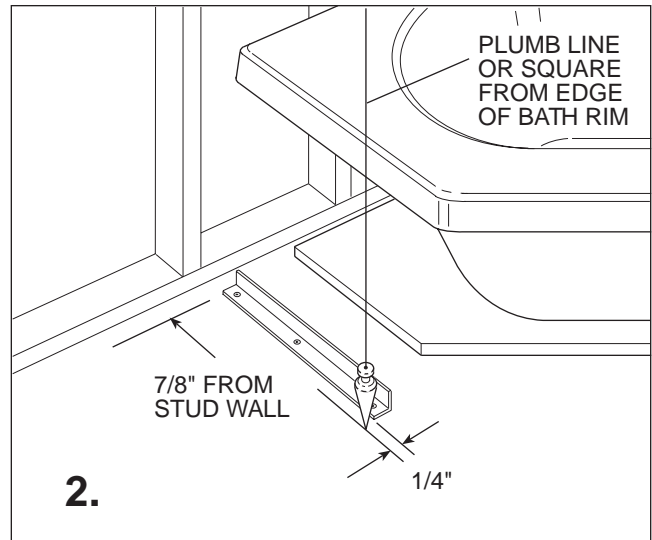
Place the 21" long aluminum angle strips at each side of the bath. They should be located 7/8" from the stud wall and 1/4" behind a plumb line dropped from the edge of the bath rim. Fasten the aluminum angles to the sub-floor using the screws provided (See Illustration 2.)

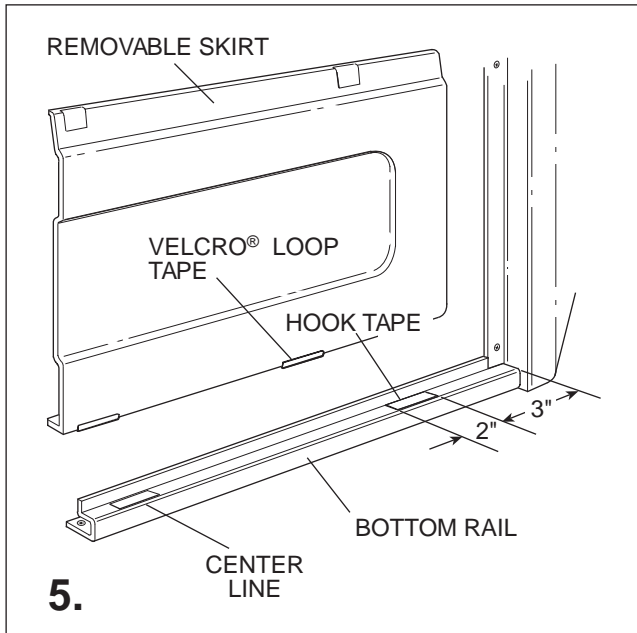
Clean an area about 2" long, approximately 4" from each end, on the bottom of the skirt and on the skirt rail with isopropyl alcohol. Attach strips of self-adhesive Velcro® hook tape to the rail and the loop tape to the skirt, where cleaned, ensuring that the tapes will mesh properly. (See Illustration 3.)

Lift skirt up under bath at a slight angle, engaging the shell clips. Drop down and into place against skirt rail.

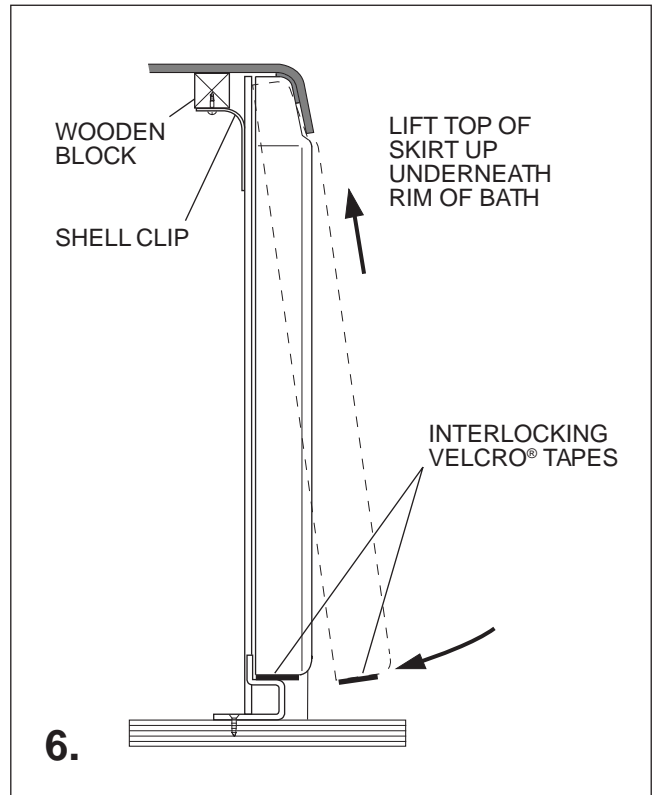
Follow the same procedure for the installation of the other fixed skirt.

To install the removable skirt. (See Illustration 4.) Lay the remaining skirt rail (47-1/4" long) between the fixed skirts. Ensure that the front edges of the side skirt panels are in line with the contour of the bath rim edge and are vertical. Locate the front surfaces of the skirt rail 5/8" behind the front surfaces of the side panels as shown. Fasten the bottom rail to the floor using the screws provided.





Clean an area about 2" long in the center, and 3" from each end of the rail and the bottom of the skirt with isopropyl alcohol. (See illustration 5). Attach strips of Velcro®, as before, hook tape to rail, loop tape to skirt, ensuring that they will mesh when the skirt is installed.



Lift the top of the skirt up under the rim of the bath, engaging the clip. Swing the bottom of the skirt in towards the rail and lower the skirt onto it. The Velcro® tapes will mesh, holding the skirt in place. Proceed with the installation of the wall and finished flooring materials.

