



# Specifications

## MODEL

- MX22827 FREESTANDING TUB FILLER - CHROME
- MX22826 FREESTANDING TUB FILLER - BRUSHED NICKEL
- MX22817 FREESTANDING TUB FILLER - MATTE BLACK
- MX22845 FREESTANDING TUB FILLER - OIL RUBBED BRONZE

## FEATURES

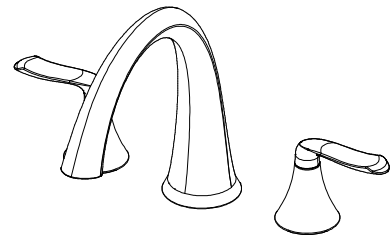
- Ceramic cartridge
- Lever style handle
- 1/2" IPS connections
- Min Flow Rate: 2.4 GPM at 20 PSI

## CODE COMPLIANCE

- ASME A112.18.1 / CSA B125.1
- IAPMO Certified

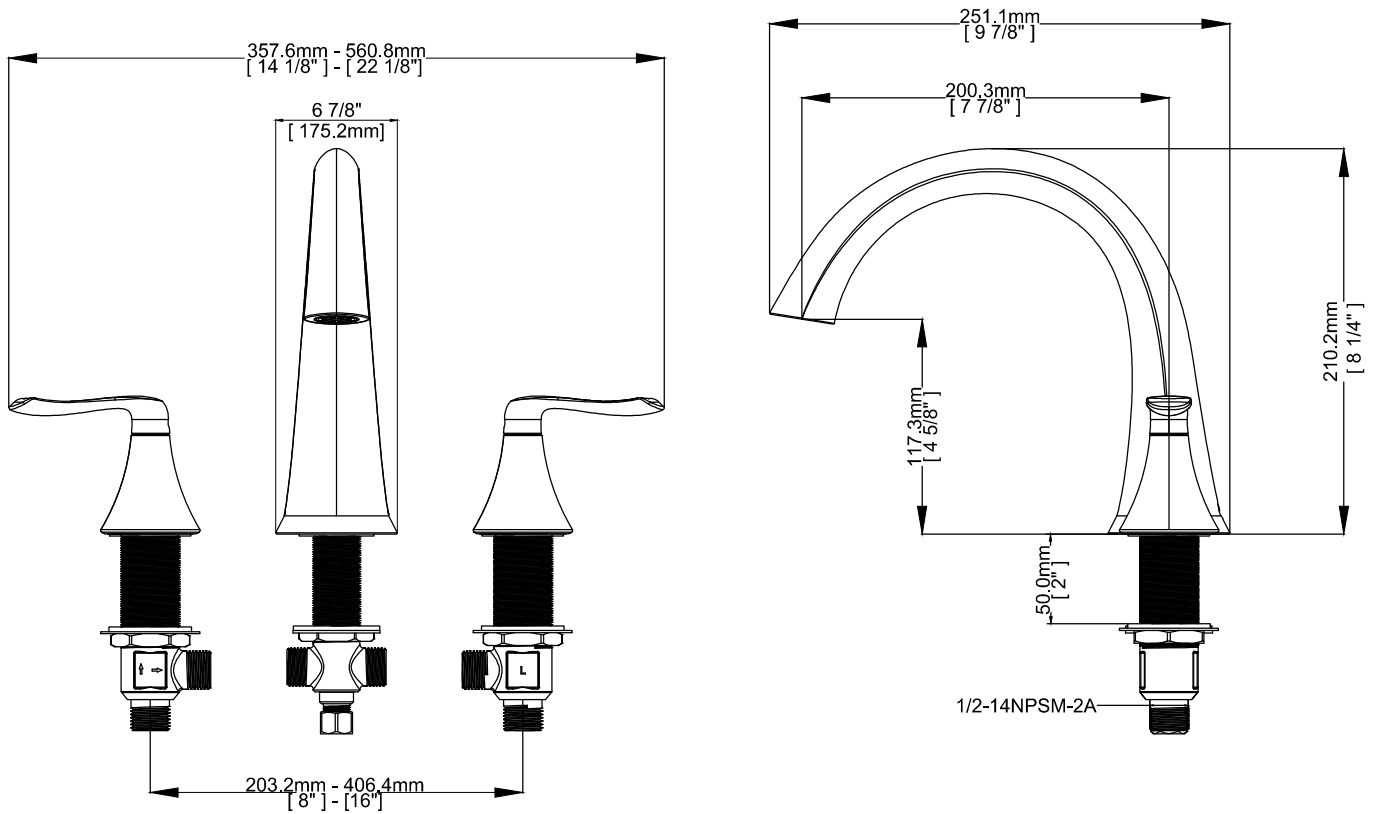
## WARRANTY

- Limited Lifetime Warranty



FREESTANDING TUB FILLER

MODEL	FINISH
MX22827	Chrome
MX22826	Brushed Nickel
MX22817	Matte Black
MX22845	Oil Rubbed Bronze



## INSTALLATION DIMENSIONS

Jacuzzi reserves the right to make changes in specifications and materials and to change and discontinue models, both without the notice or obligation. Dimensions are for reference only.