

**Amalia™ Freestanding Bathtub**

Letter	Description	Soaking	
		5932	6734
-	Drain Location	Center Drain	
-	Equipment Location	--	
-	Cutout Template	--	
-	Drop-In Cutout Dimensions (L x W)	--	
-	Total Weight	906 lbs (411 kg)	1,026 lbs (465 kg)
-	Floor Loading	69 lb/ft <sup>2</sup> (337 kg/m <sup>2</sup> )	65 lb/ft <sup>2</sup> (317 kg/m <sup>2</sup> )
-	Operating Gallons	68 Gal (257 L)	80 Gal (303 L)
-	Product Weight	88 lbs (40 kg)	112 lbs (51 kg)
-	Soaking Depth	17.6" (447 mm)	17.6" (447 mm)
L	Outer Length	59" (1499 mm)	67" (1702 mm)
W	Outer Width	32" (813 mm)	34" (864 mm)
H	Overall Height	24" (610 mm)	24" (610 mm)
A	Overflow Height	17.9" (455 mm)	17.9" (455 mm)
B	Long Edge to Drain Center	29.5" (749 mm)	33.5" (851 mm)
C	Short Edge to Drain Center	17.9" (454 mm)	19.1" (484 mm)
D	Drain Shoe Length	--	--
E	Flange Height	--	--
F	Deck Width*	5.6" (142 mm)	5.7" (145 mm)
G	Service Access Dimensions	No Service Access	No Service Access
I	Floor Cutout for Drain	4" x 4" (102 mm x 102 mm)	4" x 4" (102 mm x 102 mm)
J	Interior Dimensions Bottom of Bath (L x W)	41.6" x 19.0" (1057 mm x 483 mm)	49.5" x 21.0" (1257 mm x 533 mm)
K	Interior Dimensions Top of Bath (L x W)	55.0" x 24.8" (1397 mm x 630 mm)	63.0" x 26.8" (1600 mm x 681 mm)
L2	Interior Depth - Drain End	19.7" (500 mm)	19.7" (500 mm)
M	Backrest Angle	20.0°	20.2°
N	Footprint (L x W)	46.6" x 26.1" (1184 mm x 663 mm)	54.8" x 28.1" (1392 mm x 714 mm)

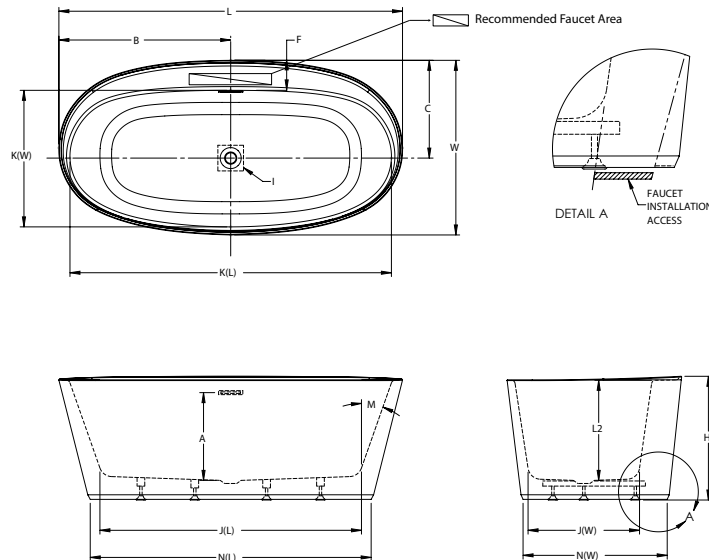
**NOTE**

The overall dimensions are nominal with a tolerance of +0 and -.25" (6 mm).

CAUTION: The integral overflow cover is not removable. The warranty will be voided if attempted.

**KEY DIMENSIONS**

\*Deck width reflects only area indicated on detail.



©2020 Jacuzzi Luxury Bath • For additional information, call Customer Service 800-288-4002 • [www.jacuzzi.com/baths](http://www.jacuzzi.com/baths)  
 Refer to installation instructions included with fixture before beginning installation. Please confirm product availability and specifications before commencing with any installation work.

PRODUCT SPECIFICATIONS AND AVAILABILITY ARE SUBJECT TO CHANGE WITHOUT NOTICE