

Job Name: _____
 Location: _____
 Contact #: _____



Specifications

Model

MZ77827 Chrome
 MZ77826 Brushed nickel

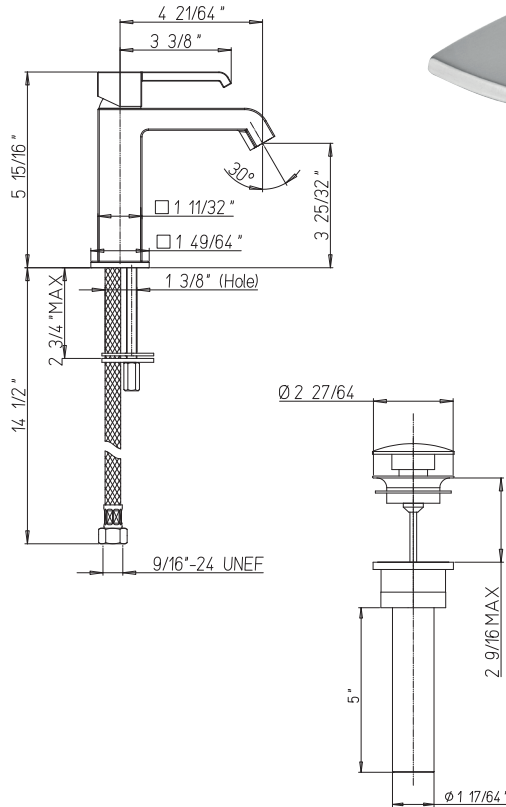
Description

- o Ceramic disc cartridge
- o Solid Brass Construction
- o Pop-up waste included
- o With Neoperl areator
- o Optional Deckplate
- o Metal Level Handle
- o Max flow rate 1.2 gpm

Standards

- o NSF ANSI 372 / 61-9
- o A112.18.1 M/A 112.18.1
- o AB1953
- o ADA
- o Watersense
- o IAPMO

Malcolm™ Single Handle Lavatory Faucet



Technical Support

1-800-288-4002

Manufacturer model# 19--211ALFJI

Warranty Parts List

No.	Description	Code MZ77827	Code MZ77826
1	Handle	19CR910CHC	19PW910CHC
2	Trim Cap	78CR954S	78PW954S
3	Locking Nut	89TO954A	89TO954A
4	Ceramic Disk Cartridge	53CC956G2510	53CC956G2510
5	Aerator	81G5682E1/2SET	81G5682E1/2SET
6	Base Ring	84CR204RR	84PW204RR
7	Fixing Kit	78CC957/572	78CC957/572
8	Cover Plate	19CR962	19PW962
9	Flexible	78AE950/579LFB 78AE950/579LFR	78AE950/579LFB 78AE950/579LFR
10	Pop-Up	53CR945TSRUSA	53PW945TSRUSA

Malcolm™ Single Handle Lavatory Faucet

