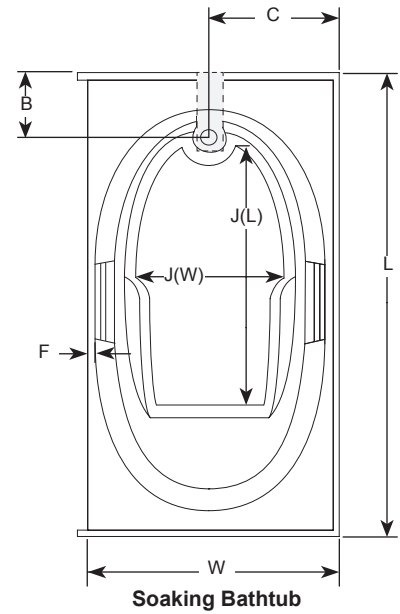


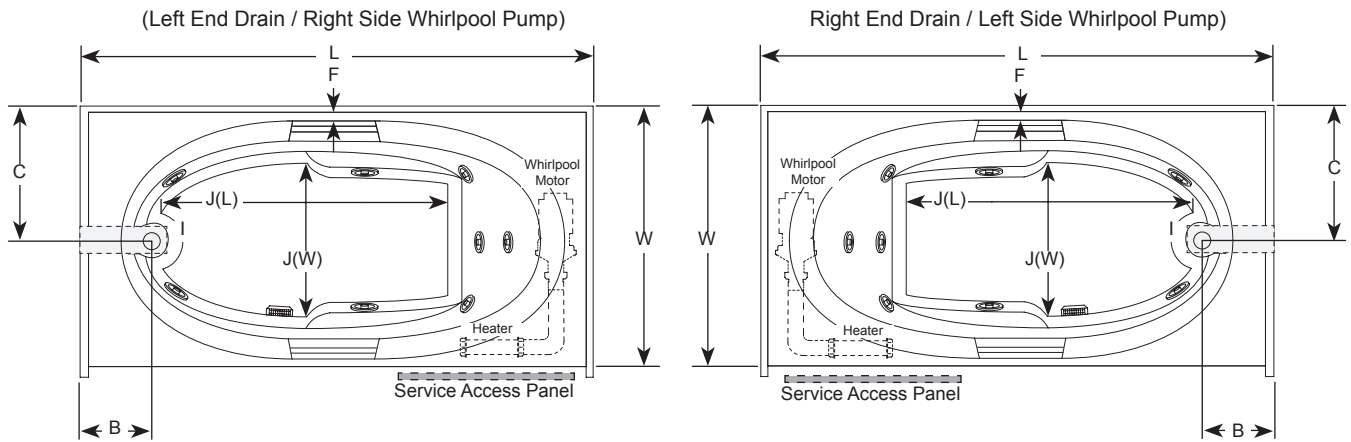
Celia™ 7236 Whirlpool And Soaking Skirted Bathtubs

Letter	Description	Whirlpool	Soaking
-	Drain Location	Right Hand / Left Hand	Right Hand / Left Hand
-	Whirlpool Pump Location	Opposite end of drain location	N/A
-	Cutout	N/A	N/A
-	Total Weight	874 lb (396 kg)	856 lb (388 kg)
-	Floor Loading	49 lb/ft ² (239 kg/m ²)	48 lb/ft ² (234 kg/m ²)
-	Operating Gallons (Max)	62 Gal (235 L)	62 Gal (235 L)
-	Product Weight	108 lb (49 kg)	90 lb (41 kg)
L	Outer Length	72.00" (1829 mm)	72.00" (1829 mm)
W	Outer Width	36.00" (914 mm)	36.00" (914 mm)
H	Overall Height	19.00" (483 mm)	19.00" (483 mm)
A	Overflow Height	17.50" (445 mm)	17.50" (445 mm)
B	Long Edge to Drain Center	9.38" (238 mm)	9.38" (238 mm)
C	Short Edge to Drain Center	17.38" (441 mm)	17.38" (441 mm)
D	Drain Shoe Length	6.50" (165 mm)	6.50" (165 mm)
E	Flange Height	1.00" (25 mm)	1.00" (25 mm)
F	Deck Width	1.00" (25 mm)	1.00" (25 mm)
G	Service Access	12.00 x 18.00" (305 x 457 mm)	N/A
I	Floor Cutout for Drain	12.00 x 4.00" (305 x 102 mm)	12.00 x 4.00" (305 x 102 mm)
J	Interior Dimensions: J(W) x J(L)	23.00 x 48.00" (584 x 1219 mm)	23.00 x 48.00" (584 x 1219 mm)

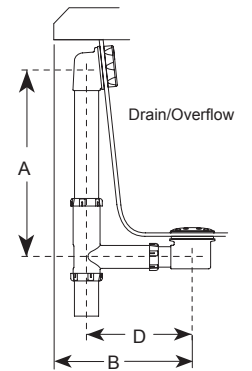
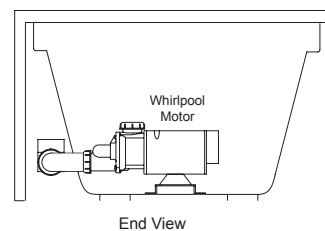
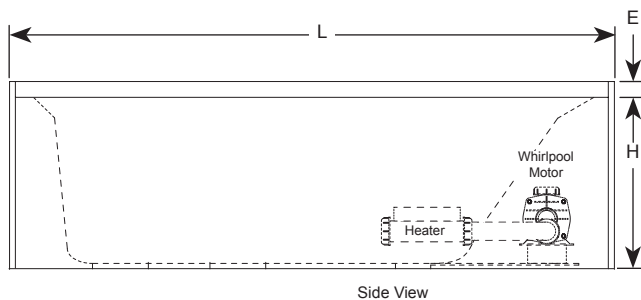
Electrical Specifications
 (Each component requires a separate, dedicated GFCI protected circuit)
 Motor/Pump 120V 15A 60HZ
 Heater (optional) 120V 15A 60HZ



Key Dimensions



*Deck width reflects only area indicated on detail.



NOTE: Drawings not to scale.