

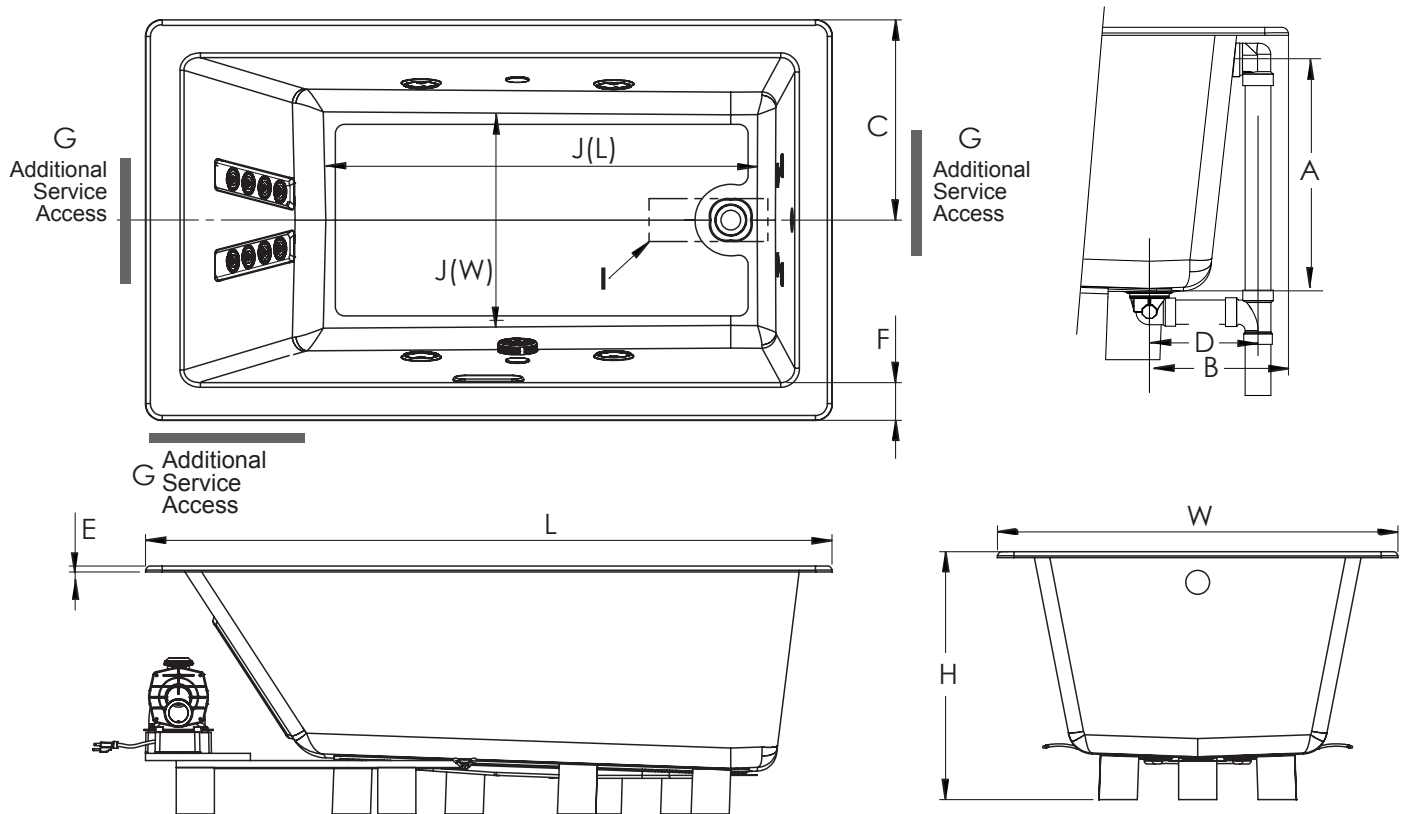


Solna™ 7242 Technical Specifications

Letter	Description	SOAKING	PURE AIR® BATH	WHIRLPOOL	SALON® SPA	Each component requires a separate, dedicated GFCI protected circuit			
-	Drain/Blower/Motor Location	LH/RH Drain	LH/RH Drain/Right or Left Side Blower	LH/RH Drain/Right or Left Side Motor	LH/RH Drain/Right or Left Side Blower/Motor				
-	Drop-in Cutout Dimensions (L x W)	70" x 40" (1778 mm x 1016 mm)					Model with components	GFCI Outlet (60Hz)	
-	Total Weight	1396 lbs (633 kg)	1442 lbs (654 kg)	1454 lbs (659 kg)	1464 lbs (664 kg)	SOAKING	Soaker only	None	
-	Floor Loading	66 lb/ft² (325 kg/m²)	69 lb/ft² (335 kg/m²)	69 lb/ft² (338 kg/m²)	70 lb/ft² (340 kg/m²)		Soaker w/ Chromotherapy	120V/15A	
-	Product Weight	86 lbs (39 kg)	132 lbs (60 kg)	144 lbs (65 kg)	154 lbs (90 kg)	PURE AIR® BATH	Blower	120V/15A	
-	Operating Gallons (Max)	127 Gal (480.7 L)					Chromotherapy (if available)	120V/15A	
-	Soaking Depth	17" (431 mm)							
L	Outer Length	72" (1829 mm)					WHIRLPOOL	Motor/ Pump	120V/20A
W	Outer Width	42" (1067 mm)						Heater (if available)	120V/15A
H	Overall Height	26" (660 mm)					SALON® SPA	Motor/Pump and Heater	240V/20A
A	Overflow Height	18.2" (462 mm)						Blower	120V/15A
B	Long Edge to Drain Center	10.63" (270 mm)							
C	Short Edge to Drain Center	21" (533 mm)							
D	Drain Shoe Length	8.5" (216 mm)							
E	Deck Height	0.63" (16 mm)							
F	Deck Width	4" (102 mm)							
G	Service Access Dimensions	12" x 18" (305 mm x 457 mm)							
I	Floor Cutout for Drain	12" x 6" (305 mm x 152 mm)							
J	Interior Dimensions (bottom of bath) J(L) x J(W)	50.5" x 27" (1283 mm x 686 mm)							

KEY DIMENSIONS* [NOTE: The overall dimensions are nominal with a tolerance of +0 and -.25" (6mm).]

*Right hand model shown. Left hand model is exact opposite.



Refer to installation instructions included with fixture before beginning installation. Please confirm product availability and specifications before commencing with any installation work.

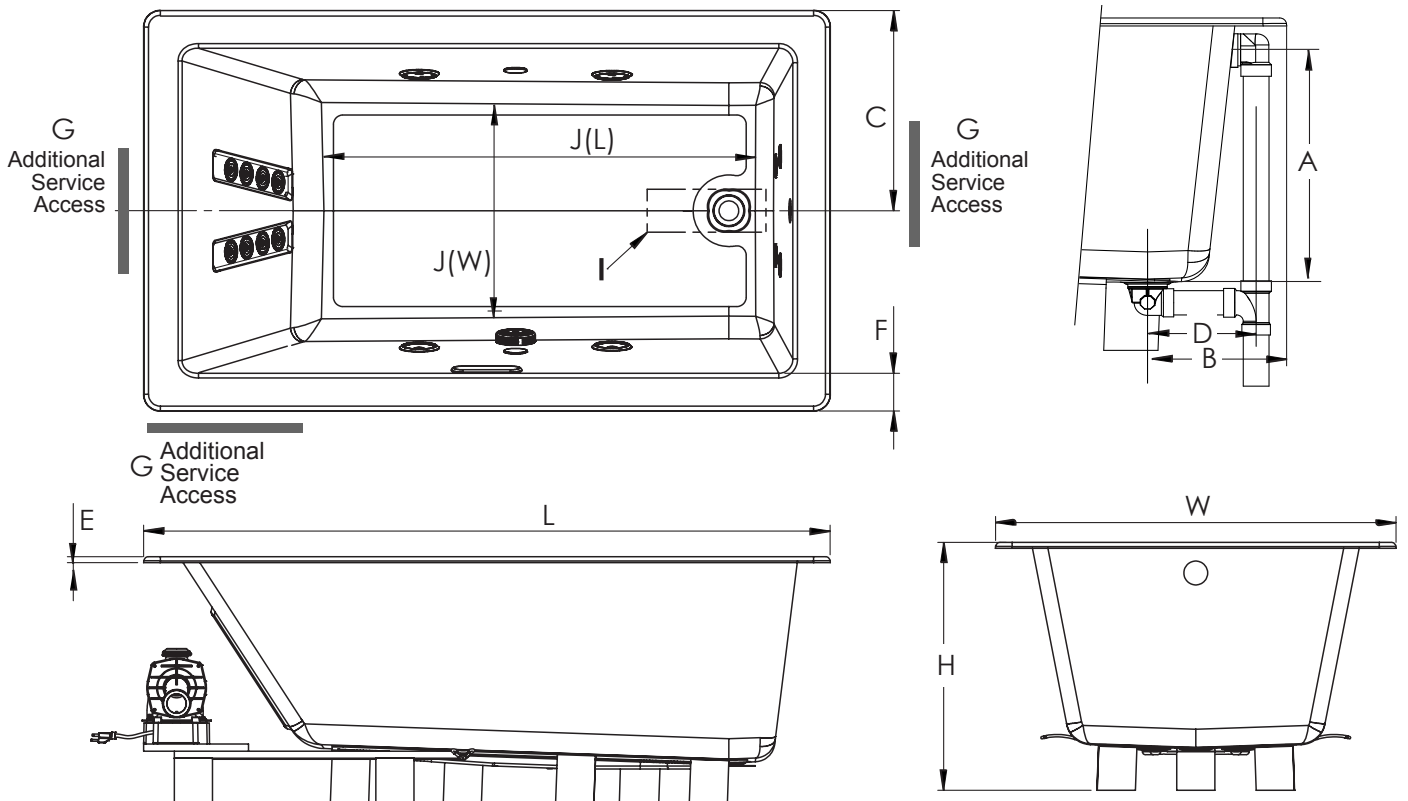
PRODUCT SPECIFICATIONS AND AVAILABILITY ARE SUBJECT TO CHANGE WITHOUT NOTICE

Solna™ 6636 Technical Specifications

Letter	Description	SOAKING	PURE AIR® BATH	WHIRLPOOL	SALON® SPA	Each component requires a separate, dedicated GFCI protected circuit		
-	Drain/Blower/Motor Location	LH/RH Drain	LH/RH Drain/Right or Left Side Blower	LH/RH Drain/Right or Left Side Motor	LH/RH Drain/Right or Left Side Blower/Motor			
-	Drop-in Cutout Dimensions (L x W)	64" x 34" (1626 mm x 864 mm)					Model with components	GFCI Outlet (60Hz)
-	Total Weight	1088 lbs (493 kg)	1134 lbs (514 kg)	1146 lbs (520 kg)	1156 lbs (524 kg)			
-	Floor Loading	66 lb/ft ² (322 kg/m ²)	69 lb/ft ² (335 kg/m ²)	69 lb/ft ² (339 kg/m ²)	70 lb/ft ² (342 kg/m ²)			
-	Product Weight	79 lbs (36 kg)	125 lbs (57 kg)	137 lbs (62 kg)	147 lbs (67 kg)			
-	Operating Gallons (Max)	91 Gal (344.4 L)						
-	Soaking Depth	17" (431 mm)						
L	Outer Length	66" (1676 mm)						
W	Outer Width	36" (914 mm)						
H	Overall Height	26" (660 mm)						
A	Overflow Height	18.2" (462 mm)						
B	Long Edge to Drain Center	10.63" (270 mm)						
C	Short Edge to Drain Center	18" (457 mm)						
D	Drain Shoe Length	8.5" (216 mm)						
E	Deck Height	0.63" (16 mm)						
F	Deck Width	4" (102 mm)						
G	Service Access Dimensions	12" x 18" (305 mm x 457 mm)						
I	Floor Cutout for Drain	12" x 6" (305 mm x 152 mm)						
J	Interior Dimensions (bottom of bath) J(L) x J(W)	44.25" x 20.75" (1124 mm x 527 mm)						
						SOAKING	Soaker only None	
							Soaker w/ Chromatherapy 120V/15A	
						PURE AIR® BATH	Blower 120V/15A	
							Chromatherapy (if available) 120V/15A	
						WHIRLPOOL	Motor/Pump 120V/20A	
							Heater (if available) 120V/15A	
						SALON® SPA	Motor/Pump and Heater 240V/20A	
							Blower 120V/15A	

KEY DIMENSIONS* [NOTE: The overall dimensions are nominal with a tolerance of +0 and -.25" (6mm).]

*Right hand model shown. Left hand model is exact opposite.



Refer to installation instructions included with fixture before beginning installation. Please confirm product availability and specifications before commencing with any installation work.

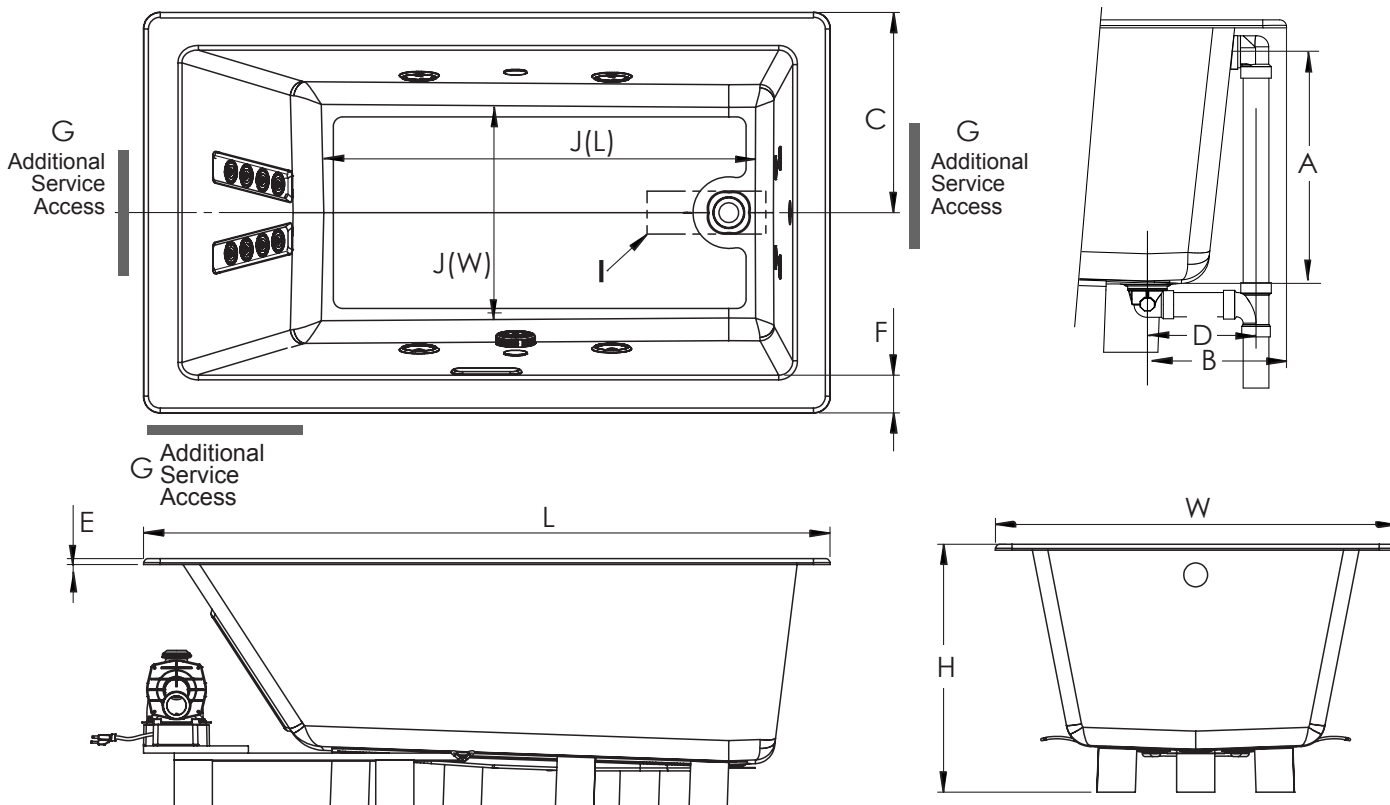
PRODUCT SPECIFICATIONS AND AVAILABILITY ARE SUBJECT TO CHANGE WITHOUT NOTICE

Solna™ 6042 Technical Specifications

Letter	Description	SOAKING	PURE AIR® BATH	WHIRLPOOL	SALON® SPA	Each component requires a separate, dedicated GFCI protected circuit			
-	Drain/Blower/Motor Location	LH/RH Drain	LH/RH Drain/Right or Left Side Blower	LH/RH Drain/Right or Left Side Motor	LH/RH Drain/Right or Left Side Blower/Motor				
-	Drop-in Cutout Dimensions (L x W)	58" x 40" (1473 mm x 1016 mm)					Model with components	GFCI Outlet (60Hz)	
-	Total Weight	1173 lbs (532 kg)	1219 lbs (553 kg)	1231 lbs (558 kg)	1241 lbs (563 kg)				
-	Floor Loading	67 lb/ft ² (327 kg/m ²)	70 lb/ft ² (340 kg/m ²)	70 lb/ft ² (343 kg/m ²)	71 lb/ft ² (346 kg/m ²)				
-	Product Weight	85 lbs (39 kg)	131 lbs (59 kg)	143 lbs (65 kg)	153 lbs (69 kg)				
-	Operating Gallons (Max)	100 Gal (378.5 L)							
-	Soaking Depth	17" (431 mm)							
L	Outer Length	60" (1524 mm)					SOAKING	Soaker only	None
W	Outer Width	42" (1067 mm)						Soaker w/ Chromatherapy	120V/15A
H	Overall Height	26" (660 mm)							
A	Overflow Height	18.2" (462 mm)v					PURE AIR® BATH	Blower	120V/15A
B	Long Edge to Drain Center	10.63" (270 mm)						Chromatherapy (if available)	120V/15A
C	Short Edge to Drain Center	21" (533 mm)					WHIRLPOOL	Motor/Pump	120V/20A
D	Drain Shoe Length	8.5" (216 mm)						Heater (if available)	120V/15A
E	Deck Height	0.63" (16 mm)							
F	Deck Width	4" (102v mm)					SALON® SPA	Motor/Pump and Heater	240V/20A
G	Service Access Dimensions	12" x 18" (305 mm x 457 mm)						Blower	120V/15A
I	Floor Cutout for Drain	12" x 6" (305 mm x 152 mm)							
J	Interior Dimensions (bottom of bath) J(L) x J(W)	38" x 26.8" (965 mm x 681 mm)							

KEY DIMENSIONS* [NOTE: The overall dimensions are nominal with a tolerance of +0 and -.25" (6mm).]

*Right hand model shown. Left hand model is exact opposite.



Refer to installation instructions included with fixture before beginning installation. Please confirm product availability and specifications before commencing with any installation work.

PRODUCT SPECIFICATIONS AND AVAILABILITY ARE SUBJECT TO CHANGE WITHOUT NOTICE