

Inizio™ Technical Specifications

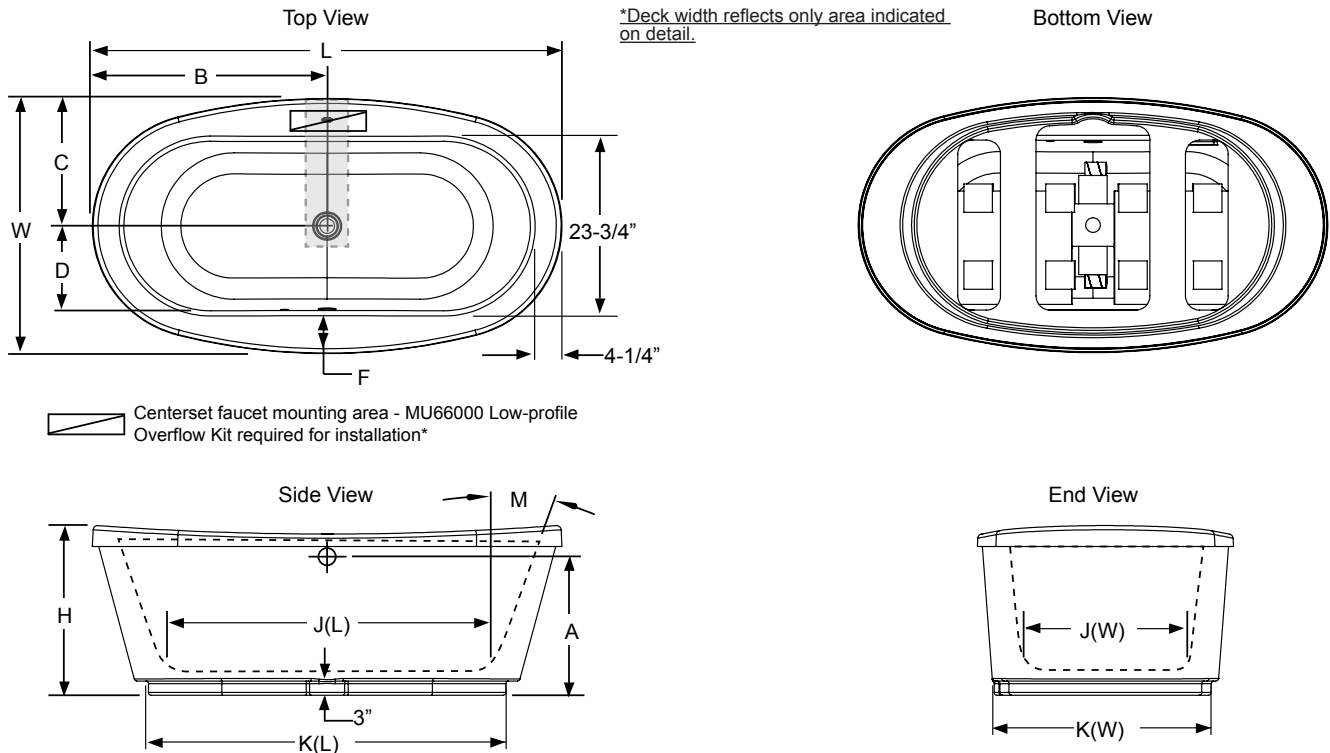
Soaking Bath Model

NOTE

The overall dimensions are nominal with a tolerance of +0 and -.25" (6mm).

Letter	Description	
-	Drain/Motor Location	Center Drain
-	Cutout	N/A
-	Total Weight	922 lbs (418 kg)
-	Floor Loading	55.8 lb/ft ² (272.4 kg/m ²)
-	Operating Gallons (Min/Max)	60 Gal. (227 L) Max.
-	Product Weight	122 lbs (55 kg)
-	Soaking Depth	16" (406 mm)
L	Outer Length	65-1/2" (1664 mm)
W	Outer Width	35-5/8" (905 mm)
H	Overall Height	24" (610 mm)
A	Overflow Height	20" (508 mm)
B	Short Edge to Drain Center	32-3/4" (832 mm)
C	Long Edge to Drain Center	17-3/4" (451 mm)
D	Dain Shoe Length	12-3/4" (324 mm)
E	Flange Height	N/A
F	Deck Width	5" (127 mm)
G	Service Access Dimensions	N/A
I	Floor Cutout for Drain	6" x 18" (150 mm x 457 mm)
J	Interior Dimensions (W x L)	4"6 x 20-1/4" (1168 mm x 514 mm)
K	Skirt Base Dimensions: K(L) x K(W)	50 x 30" (1270 mm x 762 mm)
M	Backrest Angle	18°

Key Dimensions



©2016 Jacuzzi Luxury Bath • For additional information call Customer Service 800-288-4002 • www.jacuzzi.com/baths/
Refer to installation instructions included with fixture before beginning installation. Please confirm product availability and specifications before commencing with any installation work.
PRODUCT SPECIFICATIONS AND AVAILABILITY ARE SUBJECT TO CHANGE WITHOUT NOTICE.