

BRAVO™ Drop-In Bathtub

Soaking Bath

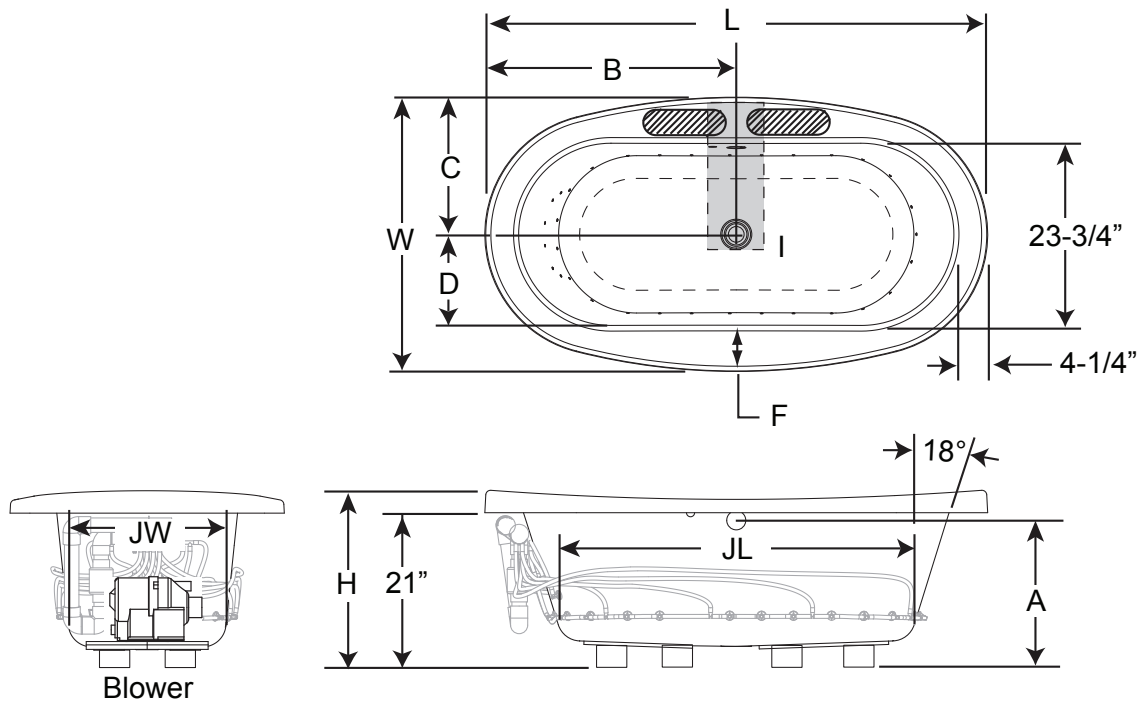
Letter	Description	English	Metric
-	Drain/Motor Location	Center Drain	
-	Cutout	P/N MJ19000	
-	Total Weight	805 lb	365 kg
-	Floor Loading	46 lb/ft ²	225 kg/m ²
-	Operating Gallons (Min/Max)	60 Gal Max	227 L
-	Product Weight	89 lb	40 kg
-	Soaking Depth	16"	406 mm
L	Outer Length	65-1/2"	1664 mm
W	Outer Width	35-5/8"	905 mm
H	Overall Height	24"	610 mm
A	Overflow Height	20"	508 mm
B	Long Edge to Drain Center	32-3/4"	832 mm
C	Short Edge to Drain Center	17-3/4"	451 mm
D	Drain Shoe Length	12-3/4"	324 mm
E	Flange Height	N/A	N/A
F	Deck Width	5"	127 mm
G	Service Access Dimensions	N/A	N/A
I	Floor Cutout for Drain	6" x 18"	150 x 457 mm
J	Interior Dimensions (W x L)	46" x 20-1/4"	1168 x 514 mm

Pure Air™ Bath

Letter	Description	English	Metric
-	Drain/Motor Location	Center Drain	
-	Cutout	P/N: MJ19000	
-	Total Weight	823 lb	373 kg
-	Floor Loading	47 lb/ft ²	229 kg/m ²
-	Operating Gallons (Min/Max)	48/60 Gal	182/227 L
-	Product Weight	131 lb	59 kg
-	Soaking Depth	16"	406 mm
L	Outer Length	65-1/2"	1664 mm
W	Outer Width	35-5/8"	905 mm
H	Overall Height	24"	610 mm
A	Overflow Height	20"	508 mm
B	Long Edge to Drain Center	32-3/4"	832 mm
C	Short Edge to Drain Center	17-3/4"	451 mm
D	Drain Shoe Length	12-3/4"	324 mm
E	Flange Height	N/A	N/A
F	Deck Width	5"	127 mm
G	Service Access Dimensions	N/A	N/A
I	Floor Cutout for Drain	6" x 18"	150 x 457mm
J	Interior Dimensions (W x L)	46" x 20-1/4"	1168 x 514 mm

Key Dimensions

(Pure Air® Model Shown)


Recommended Faucet Area