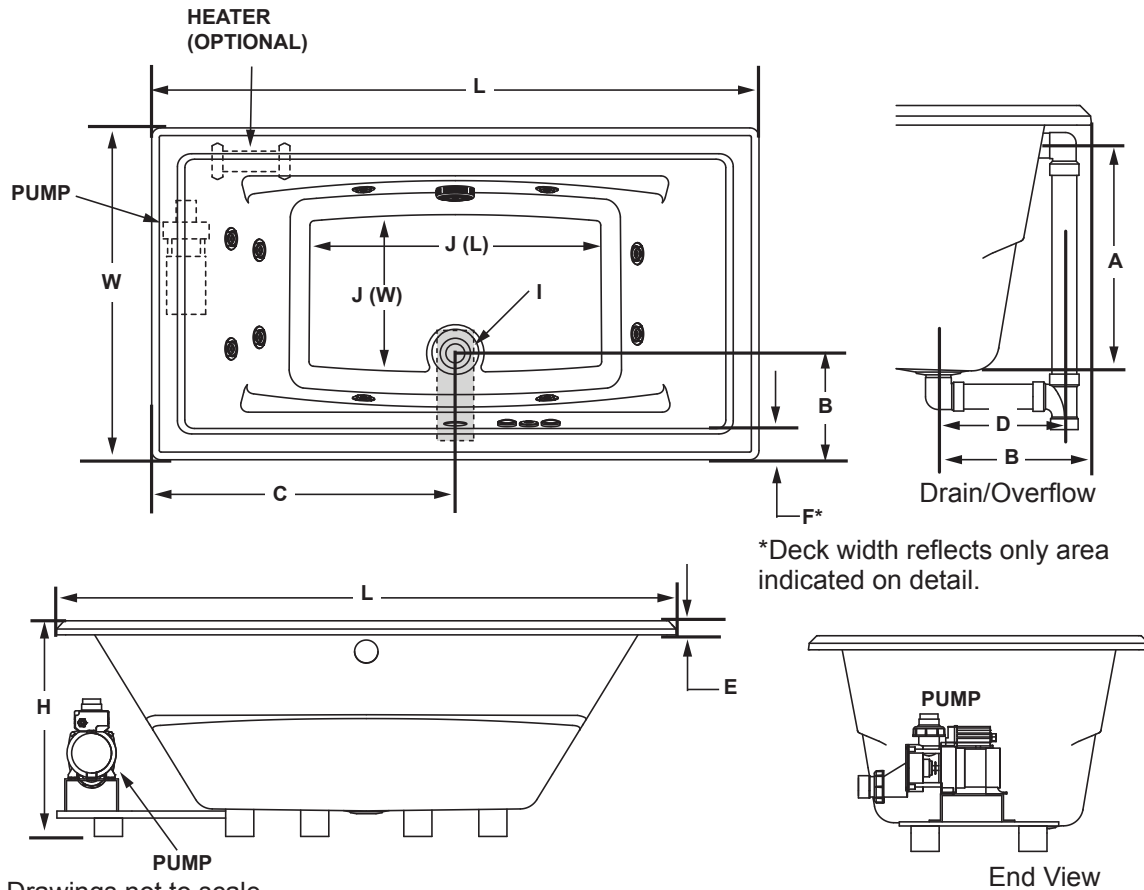


6636 Drop-In Whirlpool Bathtub

Letter	Description	English	Metric
-	Drain Location	Center	
-	Whirlpool Pump Location	Left	
-	Cutout	64.00" x 34.00"	1626 mm x 864 mm
-	Total Weight	942 lbs.	428 kg
-	Floor Loading	57.1 lb/ft ²	280 kg/m ²
-	Operating Gallons (Min/Max)	58 / 72	221 L / 273 L
-	Product Weight	94 lbs.	43 kg
L	Outer Length	66.00"	1676 mm
W	Outer Width	36.00"	914 mm
H	Overall Height	23.00"	584 mm
A	Overflow Height	17.19"	437 mm
B	Long Edge to Drain Center	11.75"	298 mm
C	Short Edge to Drain Center	33.00"	838 mm
D	Drain Shoe Length	9.63"	245 mm
E	Deck Height	1.50"	38 mm
F	Deck Width	3.50"	89 mm
G	Service Access Dimensions	N/A	
I	Floor Cutout for Drain	12.00" x 4.00"	305 mm x 102 mm
J	Interior Dimensions (W x L)	32.60" x 18.20"	828 mm x 462 mm

Note: The overall dimensions are nominal with a tolerance of +0 and -1/4" (6mm).

Key Dimensions



NOTE: Drawings not to scale.