

TECHNICAL SPECIFICATIONS



Gallery™ 6 Pure Air II® Bath

GAL7242 ALR 2XX Gallery 6 Pure Air II™ Bath Left Hand (Y925)

INSTALLATION NOTES

Refer to installation instructions included with fixture before beginning installation. Please confirm product availability and specifications before commencing with any installation work.

PRODUCT SPECIFICATIONS AND AVAILABILITY ARE SUBJECT TO CHANGE WITHOUT NOTICE.

KEY DIMENSIONS

DIMENSIONS

72" L x 42" W x 20-1/2" H
(1829 mm) L x (1067 mm) W x (521 mm) H

DRAIN/OVERFLOW

A: 16" (406 mm) B: 11-1/2" (292 mm)

CUTOUT

Template Provided P/N P186000

TOTAL WEIGHT

1168 lb (530 kg) 56 lb/sq. ft. (273 kg/m²)

OPERATING GALLONAGE

Min. 55 U.S. Gal (208 Liters)

Max. 89 U.S. Gal (537 Liters)

PRODUCT WEIGHT

127 lb (58 kg)

SKIRT MOUNTING

Not Available

ELECTRICAL SPECIFICATIONS

Requires a dedicated GFCI protected separate circuit.

Blower: 120 VAC, 15 AMP, 60 Hz.

HEATER

No water heater is available on this unit. Blower has integral air heater.

FEATURES, UPGRADES & ACCESSORIES

Accessories / Hardware:

Trip-Lever Drain Kit: #X559

Rotary Drain Kit, 26" Cable: #8730

Trim Kit Finishes Available:

(827) – Chrome

(898) – Brushed Chrome

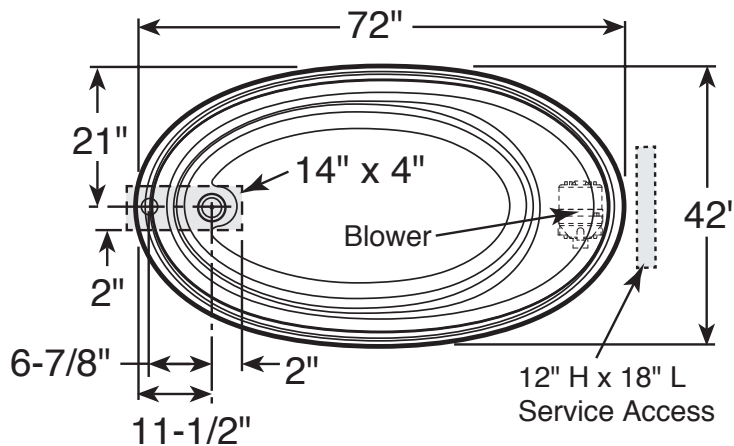
(815) – Satin Nickel

(829) – Bright Brass

(805) – Platinum

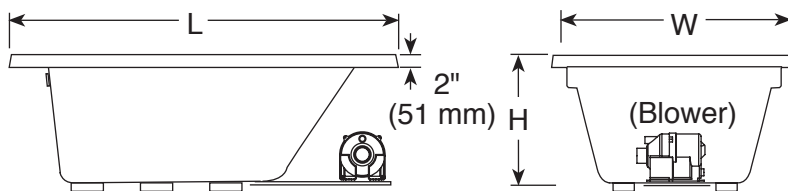
(826) – Brushed Nickel

(845) – Oil Rubbed Bronze



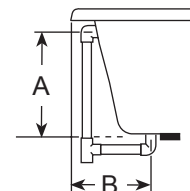
Product Shown: Gallery 6 Pure Air II™ Bath Left Hand
Shown Model: Y925

* Measurements inside unit represent cutout in floor to allow for drain/overflow. Minimum Service Access dimensions given.



SIDE VIEW

END VIEW



DRAIN/OVERFLOW