



Specifications

MODEL

- NW50826 TUB FILLER FAUCET - BRUSHED NICKEL
- NW50827 TUB FILLER FAUCET - CHROME
- NW50817 TUB FILLER FAUCET - MATTE BLACK
- NW50818 TUB FILLER FAUCET - BRUSHED BRONZE

FEATURES

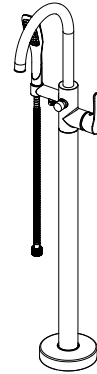
- Ceramic Cartridge
- Lever Style Handle
- 1/2" IPS connections
- Min Flow Rate: 2.4 gpm at 20 PSI
- Max Flow Rate: 7.3 gpm at 60 PSI
- Hand Shower Max Flow Rate: 1.8 gpm at 80 PSI

CODE COMPLIANCE

- ASME A112.18.1 / CSA B125.1
- IAPMO Certified

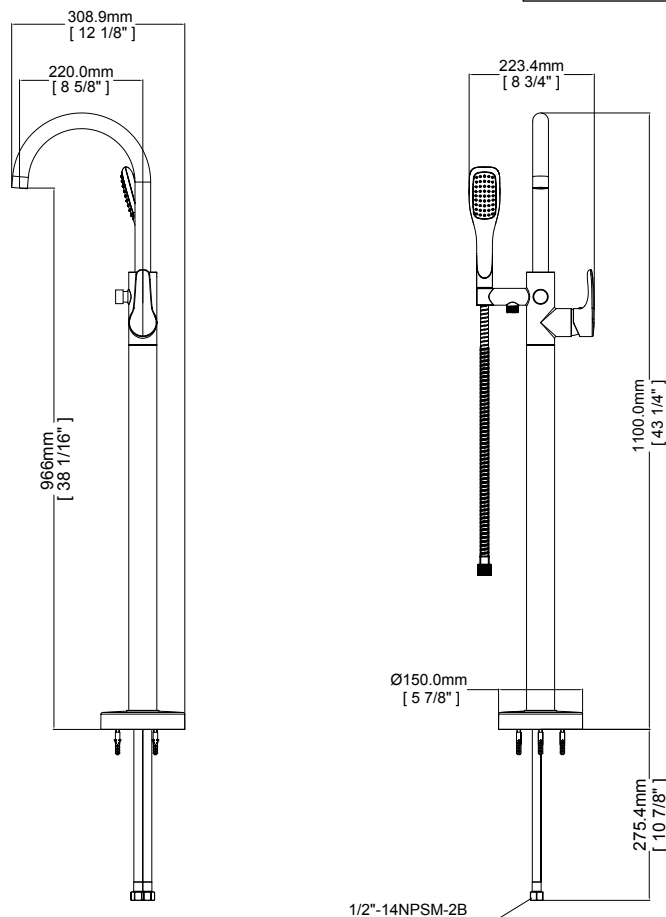
WARRANTY

- Limited Lifetime Warranty



FREESTANDING TUB FILLER

MODEL	FINISH
NW50826	Brushed Nickel
NW50827	Chrome
NW50817	Matte Black
NW50818	Brushed Bronze



INSTALLATION DIMENSIONS

WARNING : Not suitable for installation in concrete floors



Jacuzzi reserves the right to make changes in specifications and materials and to change and discontinue models, both without the notice or obligation. Dimensions are for reference only.