

Primo® 6836 Freestanding Bathtub Specifications

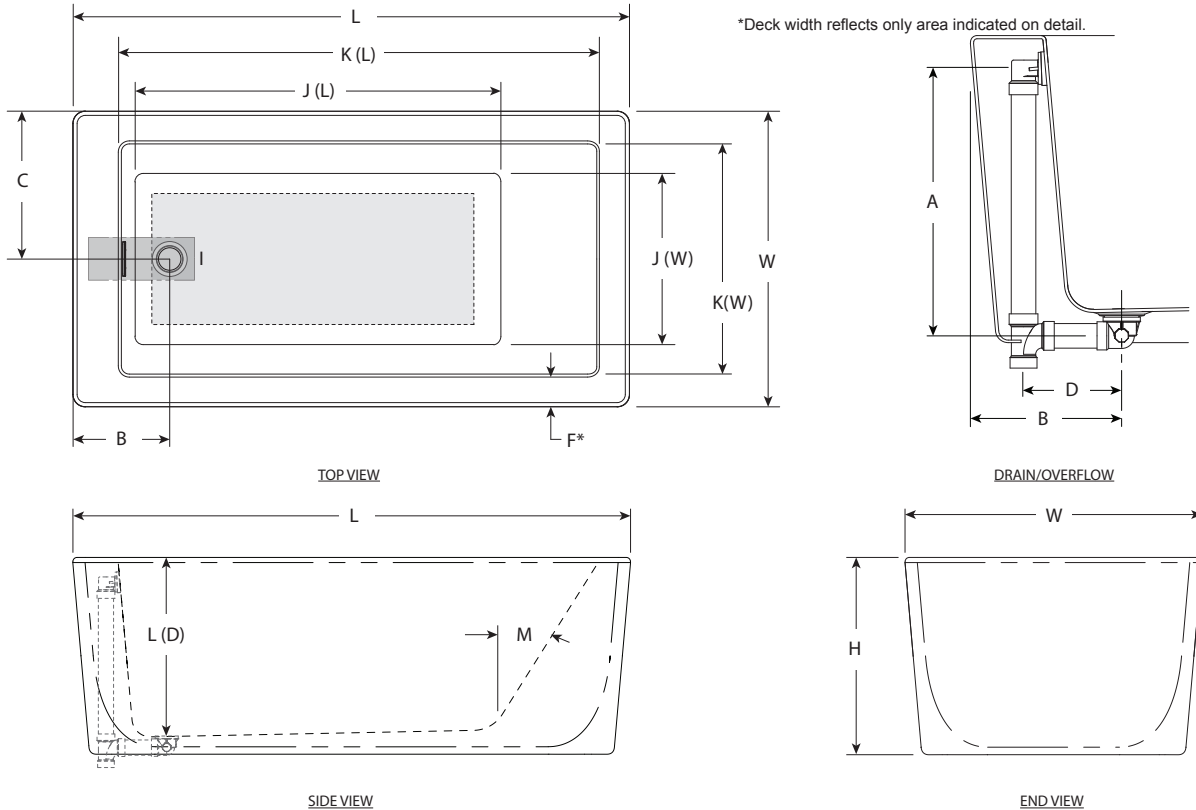
Letter	Description	Soaking
-	Drain Location	Universal End Drain
-	Pump Location	N/A
-	Cutout Template	N/A
-	Total Weight	1136 lb (515 kg)
-	Floor Loading	68.9 lb/ft ² (336 kg/m ²)
-	Operating Gallons (Min/Max)	89 Gal (337L)
-	Product Weight - Empty	145 lb (66 kg)
-	Soaking Depth	18.50" (470 mm)
L	Outer Length	68.00" (1727 mm)
W	Outer Width	36.00" (914mm)
H	Overall Height	24.00" (610 mm)
J	Interior Dimensions J(L) x J(W) Bottom of Bath	20.90" x 44.70" (531 mm x 1135 mm)
K	Interior Dimensions K(L) x K(W) Top of Bath	28.15" x 58.13" (715 mm x 1477 mm)
L	Interior Depth - Drain End (D)	21.88" (556mm)
A	Overflow Height	21.00" (533 mm)
B	Long Edge to Drain Center	11.83" (300 mm)
C	Short Edge to Drain Center	18.00" (457 mm)
D	Drain Shoe Length	7.68" (195 mm)
E	Flange Height	N/A
F	Deck Width*	4.00" (102 mm)
G	Service Access Dimensions	No Service Access
I	Floor Cutout for Drain	12.00" x 6.00" (305 mm x 152 mm)
M	Backrest Angle	32°

NOTE

The overall dimensions are nominal with a tolerance of +0 and -.25" (6mm).

Drain Kit:
 Must purchase:
 LH33826 - Deep Soak DWO Kit BN
 LH33827 - Deep Soak DWO Kit CHR
 LH33845 - Deep Soak DWO Kit ORB

NOTE: Drawings not to scale.



©2016 Jacuzzi Luxury Bath • For additional information call Customer Service 800-288-4002 • www.jacuzzi.com/baths/
 Refer to installation instructions included with fixture before beginning installation. Please confirm product availability and specifications before commencing with any installation work.
 PRODUCT SPECIFICATIONS AND AVAILABILITY ARE SUBJECT TO CHANGE WITHOUT NOTICE.