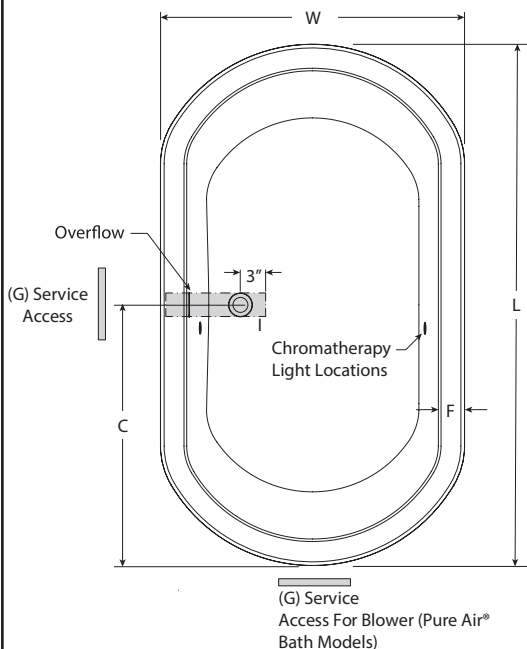
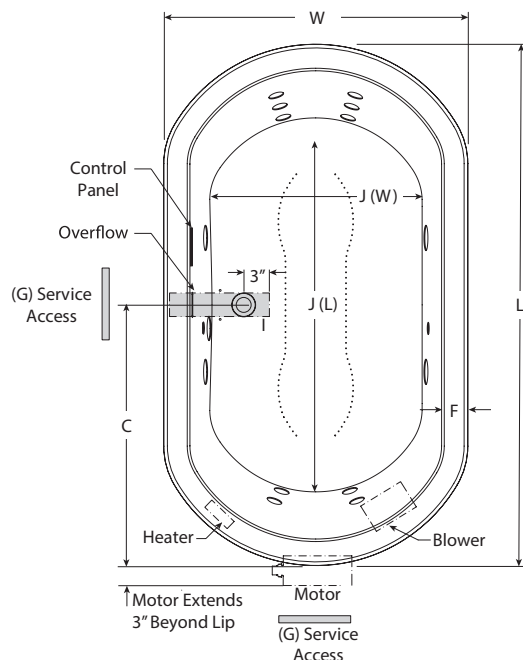


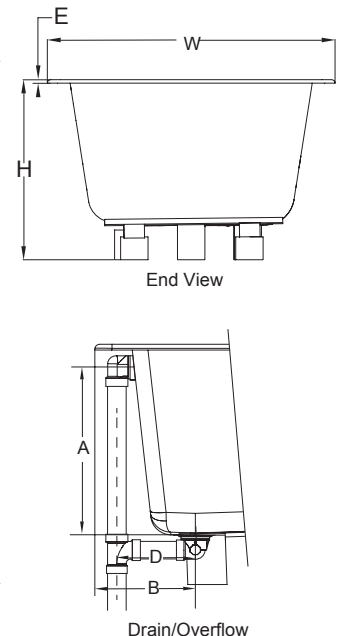
Duetta® - Technical Specifications for 7242 Models

Letter	Description	SOAKING	PURE AIR® BATH	WHIRLPOOL	SALON® SPA	Each component requires a separate, dedicated GFCI protected circuit		
-	Drain/Motor Location	Center Drain/Right Side Motor And/Or Blower				Model with components	GFCI Outlet (60Hz)	
-	Cutout Location	Template Provided P/N DA06000						
-	Total Weight	1250 lbs (567 kg)	1300 lbs (590 kg)	1293 lbs (536 kg)	1320 lbs (599 kg)	SOAKING	Soaker only	None
-	Floor Loading	60 lb/ft ² (291 kg/m ²)	62 lb/ft ² (302 kg/m ²)		63 lb/ft ² (307 kg/m ²)		Soaker w/ Chromatherapy	
-	Operating Gallons (Max)	108 gallons (408.8 liters)				PURE AIR®	Blower	120V 15A
-	Product Weight	100 lbs (45 kg)	150 lbs (68 kg)	143 lbs (65 kg)	170 lbs (77 kg)		Chromatherapy (if available)	
-	Soaking Depth	17.5" (444.50 mm)				WHIRLPOOL	Motor/Pump	120V 20A
L	Outer Length	72" (1829 mm)					Heater (if available*) *Heater circuit not required on units equipped with Whisper+ Technology™	
W	Outer Width	42" (1067 mm)				Salon® Spa	Motor/Pump/Heater	240V 20A
H	Overall Height	26" (660 mm)					Blower	
A	Overflow Height	17.9" (455 mm)						
B	Long Edge to Drain Center	11" (279 mm)						
C	Short Edge to Drain Center	36" (914 mm)						
D	Drain Shoe Length	7.25" (184 mm)						
E	Deck Height	0.50" (13 mm)						
F	Deck Width	3.875" (98 mm)						
G	Service Access Dimensions	12" x 18" (305 mm x 457 mm)						
I	Floor Cutout for Drain	12" x 6" (305 mm x 152 mm)						
J	Interior Dimensions (bottom of bath) L x W	49" x 28" (1245 mm x 711 mm)						

Key Dimensions

 Duetta® Soaking And Pure Air® Bath Models
(Soaking Bath Shown)

 Duetta® Whirlpool And Salon® Spa Models
(Salon® Spa Shown)


All Models



©2017 Jacuzzi Luxury Bath • For additional information call Customer Service 800-288-4002 • www.jacuzzi.com/baths/
Refer to installation instructions included with fixture before beginning installation. Please confirm product availability and specifications before commencing with any installation work.
PRODUCT SPECIFICATIONS AND AVAILABILITY ARE SUBJECT TO CHANGE WITHOUT NOTICE.