

Before You Begin

Before you install your sink in a new or remodeled kitchen, make sure that you are in compliance with all local plumbing codes.

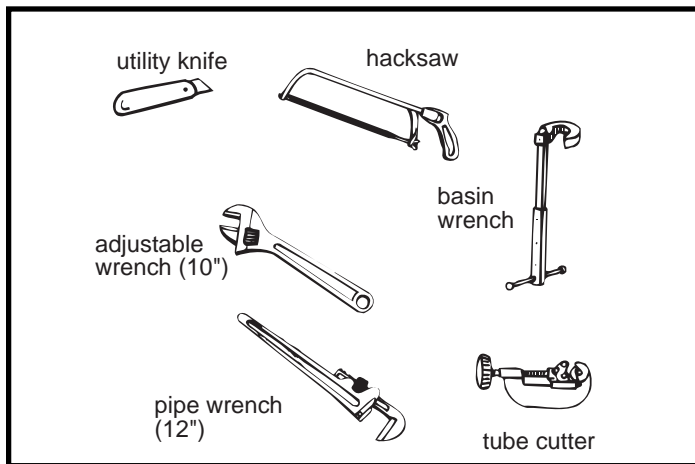
Handle With Care

Your new sink has a durable enamel finish. It may also be very heavy, possibly requiring two people to lift it. To protect the finish and avoid possible damage before and after installation, please handle your sink with care. Once you have inspected the sink, return it to its protective carton until you are ready to install it.

Tools and Materials

Determine which tools and materials are necessary by reading the complete installation instructions and examining the job. These tools are normally needed:

- basin or pail and sponge
- flat blade screwdriver
- hammer
- drill
- Eljer adhesive sealant with rust inhibitor (included)
- metal basket strainers (two for double bowl sinks)
- tape measure
- emery cloth
- saber saw
- Plumbers Putty



The materials listed below are optional. They are only necessary if existing materials are unusable:

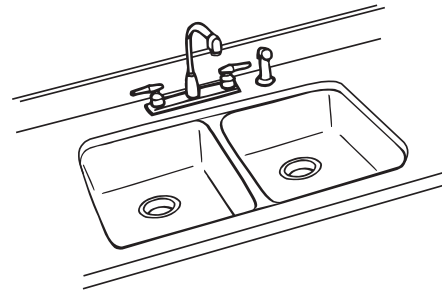
- Two shut-off valves with 1/2" I.P.S. outlet (check house piping to determine valve inlet dimension)
- Drain tail pipe (two for double bowl sinks), trap, and additional drain pipe as required

Installation

Important: Due to the wide variance in installation practices and other conditions beyond the manufacturer's control, the installer maintains ultimate responsibility for installing the sink safely. The structure built to support the sink must be able to support a minimum of 350 pounds.

UNDERMOUNT KITCHEN SINK

INSTALLATION INSTRUCTIONS



Read ALL instructions carefully before beginning installation.

There are many ways to install an undermount sink, and the details of the installation will depend on the quality of your cabinets and countertop. This installation guide describes only one way of installing an undermount sink. These instructions assume that you are working with a base cabinet with no sink or countertop currently installed. The countertop you are going to install will also need to have holes cut to accommodate the sink and faucet.

1. Determine the centerline of the sink position and alignment with cabinet and countertop. A template is provided for locating the sink bowls and faucet holes.
2. Attach two support boards to the sides of the cabinet, one in front and one in back, placing them 20 1/2" apart and equal distances from the centerline (see **Figure 1, A**). Place the boards at the proper height to allow the top of the sink to be flush with the top of the cabinet. It may be necessary for you to reinforce the sides of the cabinet for it to support the 350-pound minimum.
3. Rest your sink on the support boards and slide it from side to side until it is centered. At this point, you can also check the sink cutout measurements of your countertop.
4. Now that you have the sink in position, attach two more 20 1/2" boards between the support boards (see **Figure 1, B**).

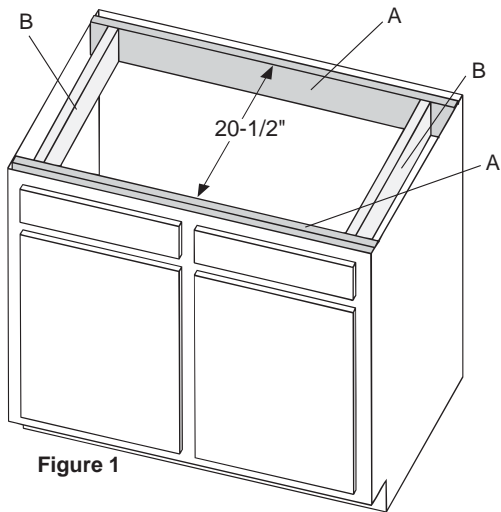


Figure 1

5. Shim the sink to bring it to the proper height.
6. Install the countertop. Put a seal of caulk between the sink and countertop to prevent water leaks.
7. Install the basket strainer. First, clean around the drain hole with a damp cloth to remove any dust or other particles that may interfere with a watertight seal. Remove the washers and nuts from the basket strainer. Pack the underside of the basket with Plumbers Putty and push it firmly in place. Put the large rubber washer over the basket threads from under the sink, followed by the thin washer (may be made of paper, fiber, or metal). Thread the large metal lock nut onto the strainer body and tighten (see **Figure 2**).

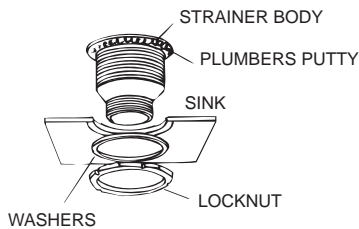


Figure 2

8. Installer must determine the best way to drill holes in the countertop, ensuring proper alignment with the sink without damaging the finished countertop surface.
9. Install the faucet according to the faucet installation instructions, inserting the faucet through the faucet holes in the sink and the countertop. The faucet holes in the sink have been enlarged to allow the faucet to be raised through the countertop. When the faucet is securely in place, attach the new hot and cold water supply tubes to the faucet tubes.

10. Connect the drain tailpiece to the bottom of the basket strainer, then fasten the trap and drain extension to the wall stub-out (see **Figure 3**). You may use metal or plastic drain pipe and trap, following the directions provided by their manufacturer.

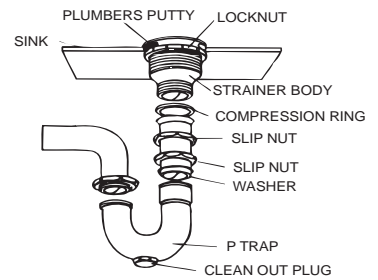


Figure 3

11. Use a tube cutter to trim the free ends of the hot and cold supply tubes to at least 1/4" longer than necessary to reach into the outlets of the shut-off valves. It is better to cut the tubes longer than needed and then trim them again. Remove any burrs or sharp edges with an emery cloth.

Join the hot and cold water supplies to the shut-off valves as instructed by the faucet manufacturer.

12. Turn on the main water supply, then open the shut-off valves. Check all connections for leaks. A slight tightening of about 1/4 turn will normally stop any leaks.

Care and Cleaning

For general cleaning, use a mild nonabrasive soap and warm water. **DO NOT USE** abrasive cleaners. Such cleaners contain sand or silica and will eventually scratch the enamel finish. Stains, surface specks, and pot marks should be removed without scrubbing by applying a paste of such cleaners as BARKEEPERS FRIEND or ZUD.

To prevent stains, rinse your sink thoroughly after each use. When using stoneware dishes with unfinished bottoms, take care not to scratch the finish of the sink. Most of kitchen sinks have optional baskets and racks that will protect the sink surface from stains and scratches. See your retailer or wholesale supplier for additional information about the baskets and racks designed to fit your model sink.

Avoid dropping heavy objects in or on your new sink. The enamel surface, while extremely durable, can be fractured. The damage usually appears as chips, shatters, or spider web cracks.

LIMITED WARRANTY

JACUZZI WHIRLPOOL BATH (“Jacuzzi Whirlpool Bath”, “we”, “us”, “our”), warrants to the original consumer/purchaser for the applicable warranty period set forth below, that the products we sell are free from defects in material and workmanship, except as otherwise indicated below.

PRODUCTS	WARRANTY PERIOD (commences upon date originally installed for its intended purpose)
• All cast iron sink products with porcelain enamel finish.	Limited lifetime vessel warranty to the original consumer/purchaser only. The porcelain enamel finish is warranted for one (1) year.
• 1.6 gpf/6 ltr. china toilets.	Five (5) years.
• All other china products and kitchen sink accessories.	Two (2) years.
• All toilet seats.	One (1) year.

ANY IMPLIED WARRANTY OF MERCHANTABILITY OR FITNESS FOR A PARTICULAR PURPOSE ON THESE PRODUCTS IS LIMITED IN DURATION TO THE WARRANTY PERIOD SPECIFIED ABOVE. SOME STATES DO NOT ALLOW LIMITATIONS ON HOW LONG AN IMPLIED WARRANTY LASTS, SO THE ABOVE LIMITATIONS MAY NOT APPLY TO YOU.

This limited warranty does not cover:

- (a) damage to any products based on or resulting from improper installation or repair, misuse or abuse (including but not limited to excessive operating conditions), or alteration or adjustment other than in conformity with our specifications or instructions, whether performed by a contractor, service company or yourself;
- (b) damages resulting from failure to reasonably clean, care for or maintain a product in accordance with our instructions/recommendations; or,
- (c) any products we sell that have been moved or removed from their original installation site.

If you believe that a product fails to meet the above limited warranty, you should notify us in writing prior to expiration of the applicable warranty period set forth above at the following address: **Jacuzzi Whirlpool Bath, PO Box 702168, Dallas, TX 75370-2168**. Notification should include a description of the product, model number and how the product fails to meet the above warranty. Upon receipt of a written claim under this limited warranty and evidence of the date of purchase or installation, and after inspection by an authorized Jacuzzi Whirlpool Bath representative, at our option and in our sole discretion, we will either repair or replace the product with a Jacuzzi Whirlpool Bath product of the same or similar type and size; provided, however, that we will not pay any costs (labor or otherwise) associated with either removing a previously installed product; installing a replacement product; or transportation or return of a product.

JACUZZI WHIRLPOOL BATH WILL NOT BE LIABLE FOR ANY OTHER LOSS OR EXPENSE(S) NOT SPECIFICALLY DESCRIBED ABOVE, AND DISCLAIMS ANY LIABILITY FOR CONSEQUENTIAL OR INCIDENTAL DAMAGES.

SOME STATES DO NOT ALLOW THE EXCLUSION OR LIMITATION OF INCIDENTAL OR CONSEQUENTIAL DAMAGES, SO THE ABOVE EXCLUSION MAY NOT APPLY TO YOU.

THIS WARRANTY GIVES YOU SPECIFIC LEGAL RIGHTS AND YOU MAY ALSO HAVE OTHER RIGHTS WHICH VARY FROM STATE TO STATE.