



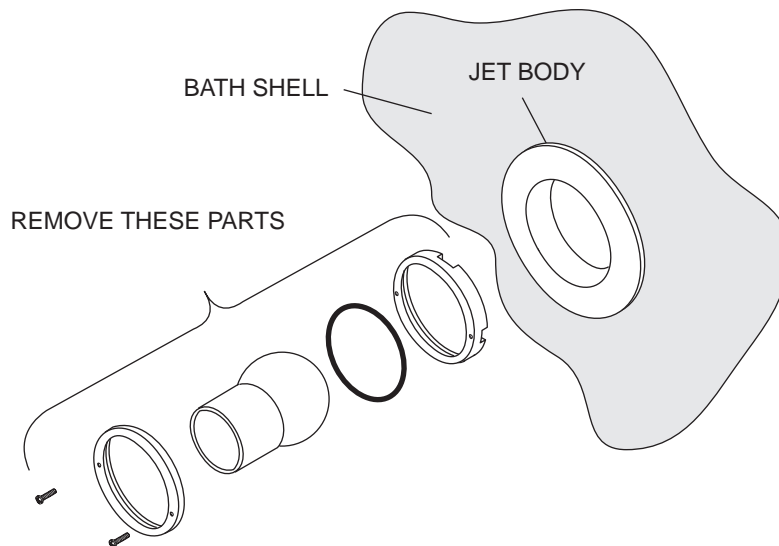
# Spinning Jet Retrofit Kit Installation Instructions

**Tool required:** #1 Phillips screwdriver.

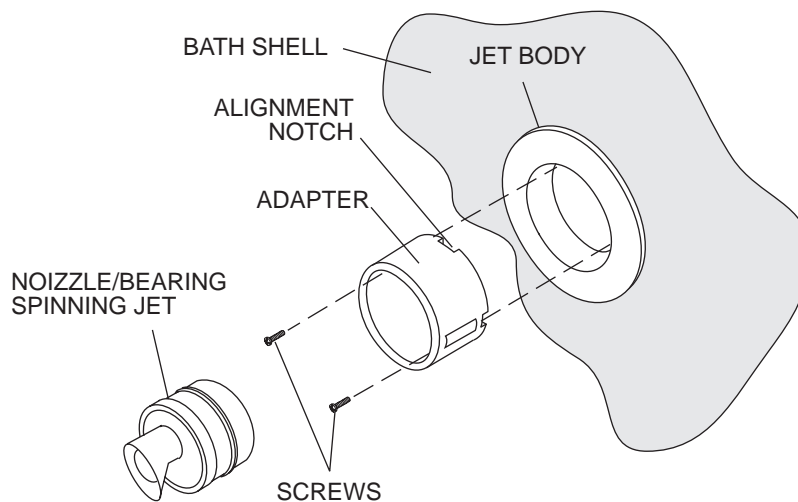
**Hardware provided:** Screw, Phillips head (2); adapter (1); nozzle/bearing spinning jet (1).

## Procedure

Remove the two screws inside the jet body. Remove the nozzle and associated parts. Discard these parts.



Place the adapter inside the jet body and turn till the alignment notch drops in place. Insert the new screws and tighten. Snap in the nozzle/bearing spinning jet. Installation is complete.



(OVER)

## Maintenance

If hair or other kind of debris gets caught in the bearings of these jets, it could cause them to stop spinning. This may require disassembly and cleaning. To do this, simply grab the nozzle and pull straight out of the jet housing. The roller bearing casing will be attached to the nozzle. These can be separated by holding the casing and pushing the nozzle out from the rear of the casing. After cleaning, reassemble in reverse.

