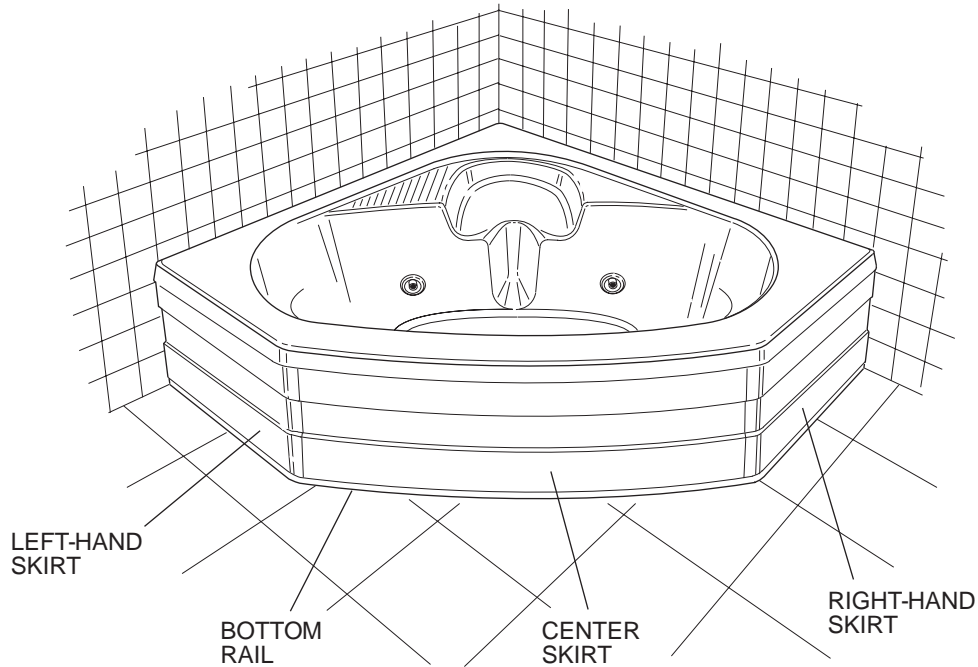




Corner Skirt Installation Instructions



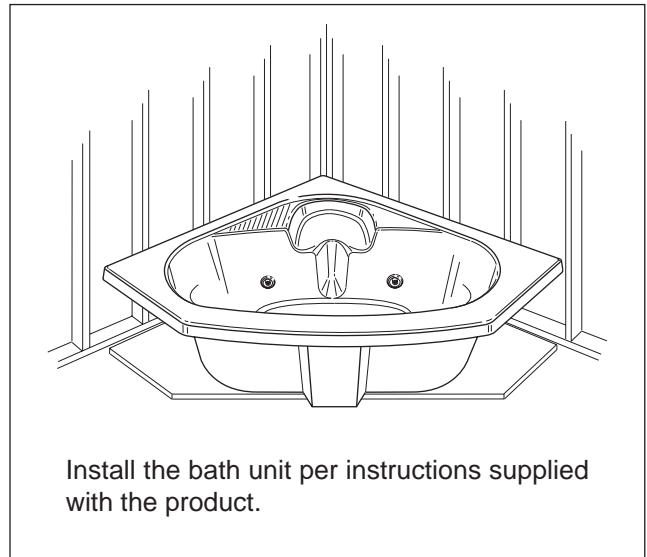
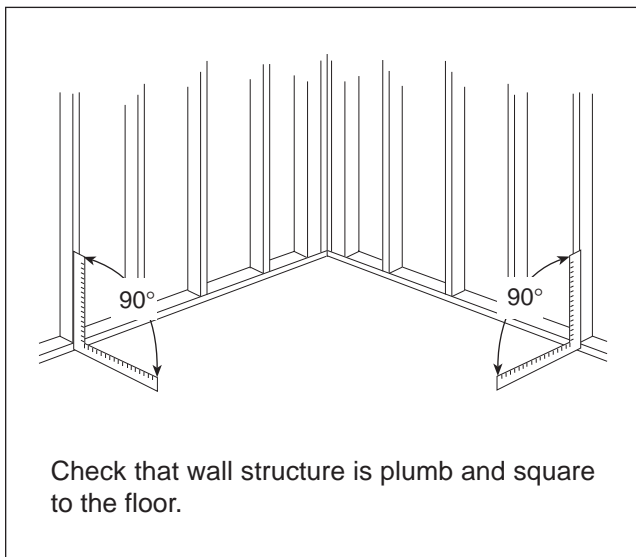
The optional skirt is designed to allow the minimum service access necessary to the motor/pump and plumbing of the bath and consists of three pieces; left-hand skirt, right-hand skirt, and center skirt, along with the necessary bottom rail and hardware for installation. (See the Illustration above.)

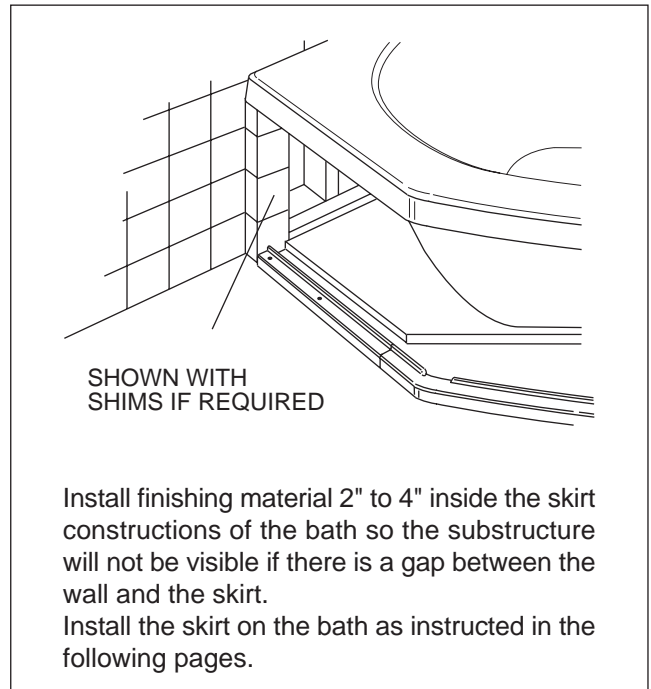
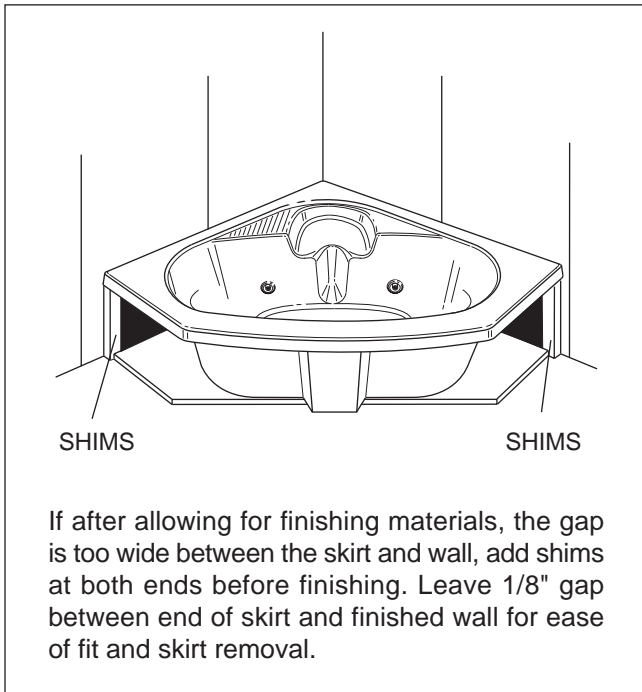
Note: The side skirts and side bottom rails are 3/4" shorter than the side lengths of the bath. This allows 3/4" on each side for sheetrock and wall finishing material. If after allowing for finishing materials, the gap is too wide between the skirt and wall, add shims at both ends before finishing. Leave 1/8" gap between end of skirt and finished wall for ease of fit and skirt removal.

If necessary, reposition each side skirt and center skirt to minimize any gaps between the skirt joints.

Allow clearance of at least 8" in front of the bath for skirt removal. The skirt should be attached after the bath has been installed.

As part of the roughing-in of the bath, follow these steps to ensure that the bath skirt fits properly.

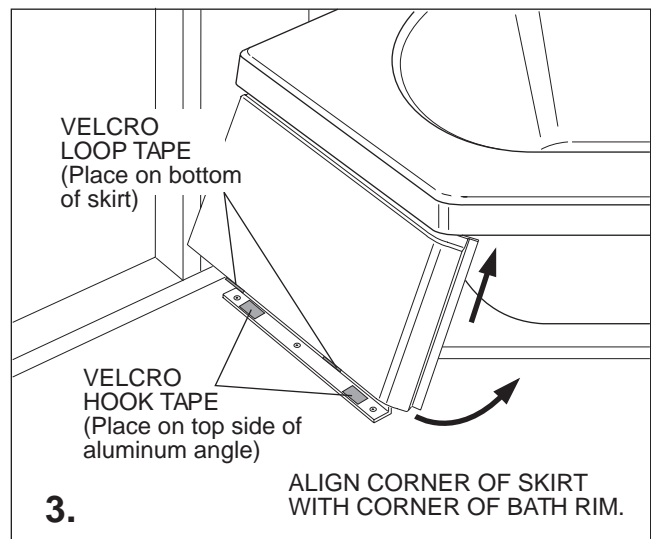
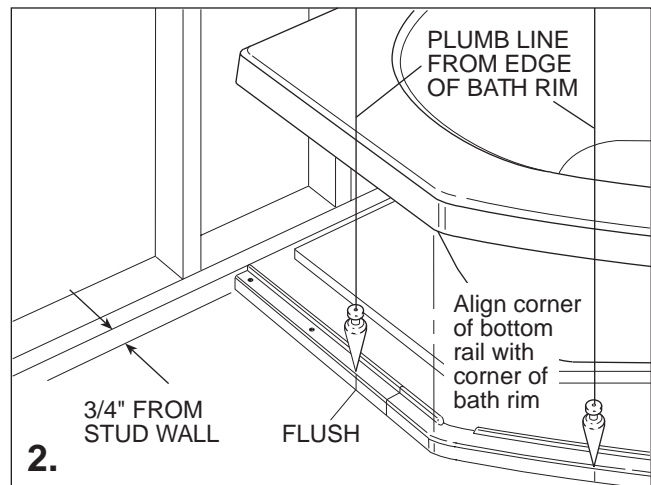
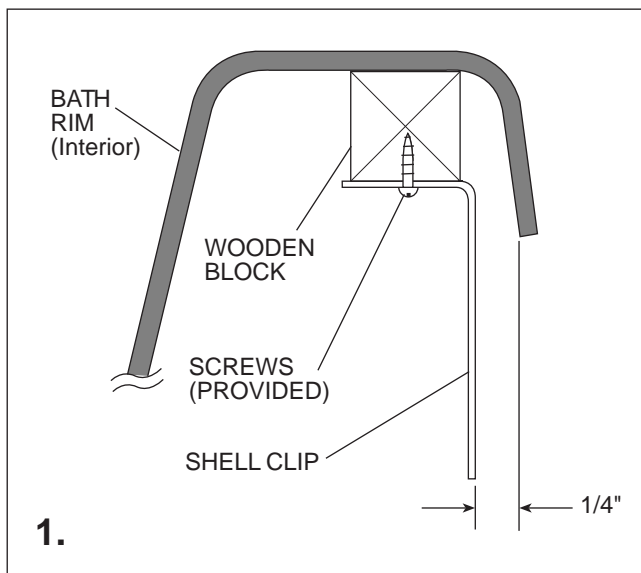




Bath Skirt Installation

The bath should already be set and leveled. Electricity should be connected and bath unit tested to be sure it is working properly before installing the skirt.

Mount the six shell clips to the wooden blocks located under the rim of the bath. (See Illustration 1.) Shell clips are to be located to 1/4" from the inside of the bath rim edge. Mark hole locations on the blocks using one of the clips as a template. Then drill pilot holes about 1/8" deep with a 3/32" drill. Use caution to avoid drilling through bath rim. Secure the clips to the wooden blocks as shown.

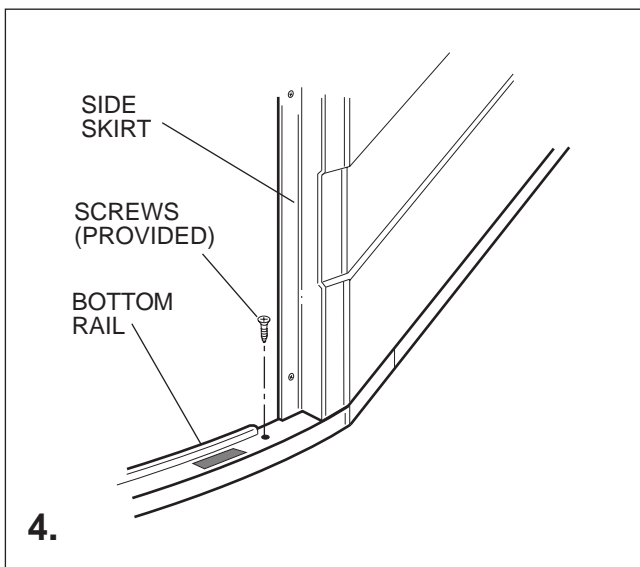


Place the center bottom rail on the sub-floor at the center of the bath. Drop a plumb line from the edge of the bath rim and align the front edge and corners. Fasten with screws provided, butt the two side bottom rails to the end of the center rail, align, and fasten with screws provided. (See Illustration 2.)

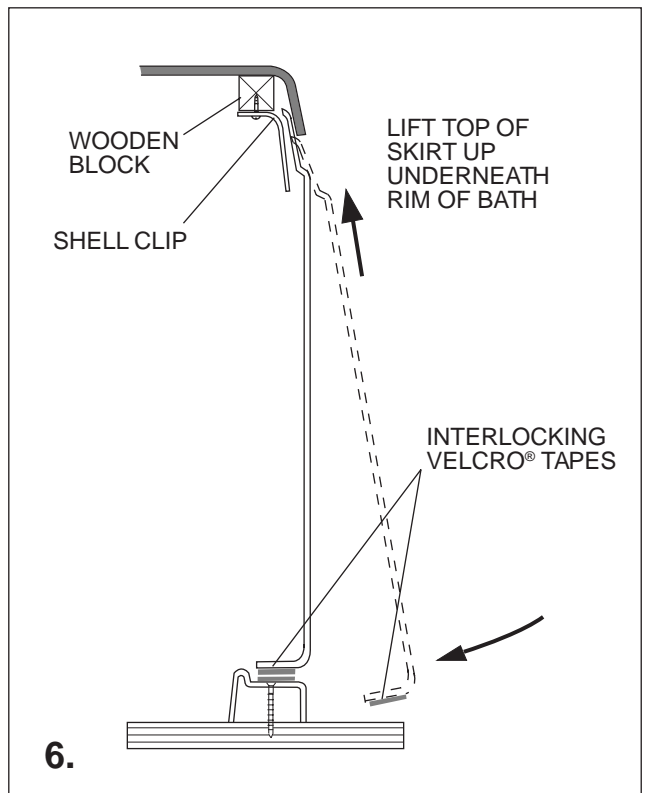
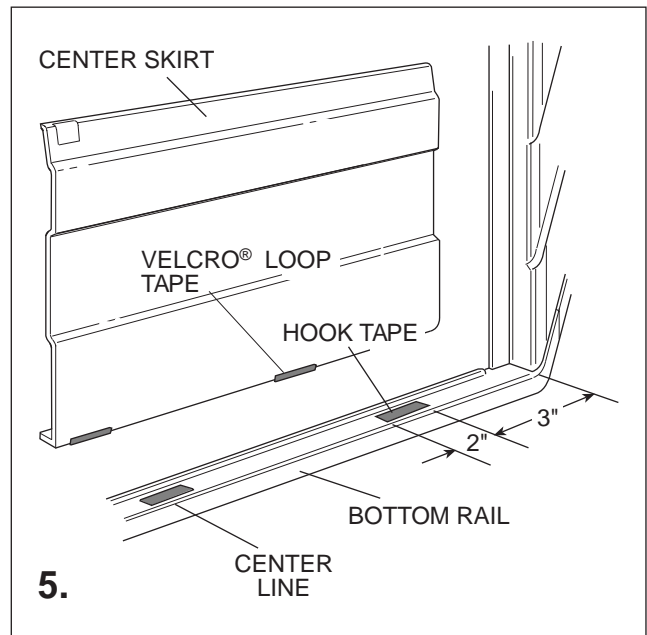
Clean an area about 2" long, approximately 4" from each end, on the bottom of the skirt and on the skirt rail with isopropyl alcohol. Attach strips of self-adhesive Velcro® hook tape to the rail and the loop tape to the skirt, where cleaned, ensuring that the tapes will mesh properly. (See Illustration 3.)

Lift skirt up under bath at a slight angle, engaging the shell clips. Drop down and into place against skirt rail. Mesh the Velcro® strips. (See Illustration 4.)

Follow the same procedure for the installation of the other side skirt.



Clean an area about 2" long in the center, and 3" from each end of the rail and the bottom of the skirt with isopropyl alcohol. (See illustration 5.) Attach strips of Velcro®, as before, hook tape to rail, loop tape to skirt, ensuring that they will mesh when the skirt is installed.



Lift the top of the skirt up under the rim of the bath, engaging the clip. Swing the bottom of the skirt in towards the rail and lower the skirt onto it. The Velcro® tapes will mesh, holding the skirt in place. If necessary, reposition each side skirt and center skirt to minimize any gaps between the skirt joints. Proceed with the installation of the wall and finished flooring materials.



Printed on Recycled Paper

©1990 Jacuzzi Whirlpool Bath A333000 A 2/95

Printed in U.S.A.