

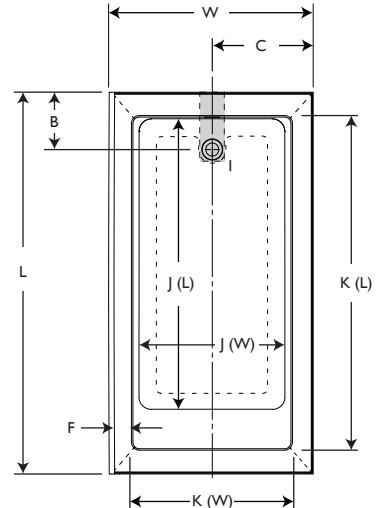
### Linea™ 6032 Skirted Bathtub - Soaking & Whirlpool

Letter	Description	Soaking	Whirlpool
-	Drain Location	Left Hand / Right Hand	
-	Pump Location	N/A	Opposite end of drain location
-	Cutout Template	N/A	
-	Total Weight	746 lb (338 kg)	761 lb (345 kg)
-	Floor Loading	56 lb/ft <sup>2</sup> (278 kg/m <sup>2</sup> )	57 lb/ft <sup>2</sup> (278kg/m <sup>2</sup> )
-	Operating Gallons (Min/Max)	53 Gal (201L)	31 Gal / 53 Gal (117L / 201L)
-	Product Weight - Empty	55 lb (25 kg)	70 lb (32 kg)
-	Soaking Depth	15.00" (381 mm)	
L	Outer Length	60.00" (1524 mm)	
W	Outer Width	32.00" ( 813 mm)	
H	Overall Height	19.50" (495 mm)	
J	Interior Dimensions (JW x JL) Bottom of Bath	23.00" x 45.00" (584 mm x 1143 mm)	
K	Interior Dimensions (KW x KL) Top of Bath	23.13" x 52.13" (588 mm x 1324 mm)	
L2	Interior Depth - Drain End	17.00" (432 mm)	
A	Overflow Height	17.50" (445 mm)	
B	Long Edge to Drain Center	9.00" (229 mm)	
C	Short Edge to Drain Center	16.00" (406 mm)	
D	Drain Shoe Length	6.75" (171 mm)	
E	Flange Height	1.25" (32 mm)	
F	Deck Width*	3.50" (89 mm)	
G	Service Access Dimensions	No Service Access	
I	Floor Cutout for Drain	12.00" x 4.00" (305 mm x 102 mm)	
M	Backrest Angle	23°	

**NOTE**

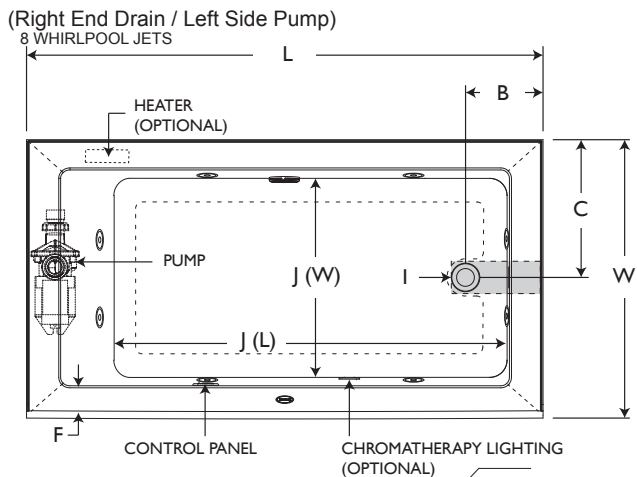
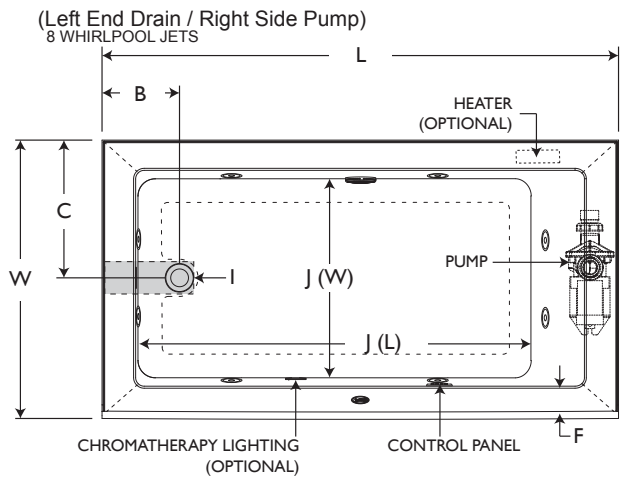
The overall dimensions are nominal with a tolerance of +0 and -.25" (6mm).  
 Electrical Specifications  
 (Each component requires a separate, dedicated GFCI protected circuit)  
 Motor/Pump 120V 15A 60HZ  
 Heater (optional) 120V 15A 60HZ

**Drain Kit:**  
 Must purchase:  
 MF35826- Linear DWO Kit BN  
 MF35827- Linear DWO Kit CHR  
 MF35845- Linear DWO Kit ORB

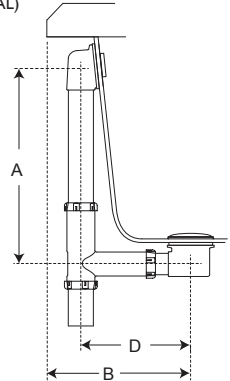
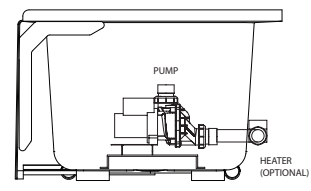
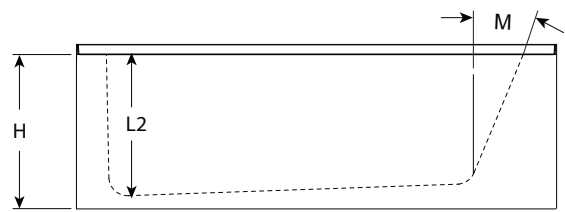


Soaking Bathtub

### Key Dimensions



\*Deck width reflects only area indicated on detail.



NOTE: Drawings not to scale.

**Linea™ 6032 Skirted Bathtub - Pure Air®**

Letter	Description	Pure Air®
-	Drain Location	Left Hand / Right Hand
-	Blower Location	Opposite end of drain location
-	Cutout Template	N/A
-	Total Weight	761 lb (345 kg)
-	Floor Loading	57 lb/ft <sup>2</sup> (278 kg/m <sup>2</sup> )
-	Operating Gallons (Min/Max)	31 Gal / 53 Gal (117 L x 201 L)
-	Product Weight - Empty	70 lb (32 kg)
-	Soaking Depth	15.00" (381 mm)
L	Outer Length	60.00" (1524 mm)
W	Outer Width	32.00" (813 mm)
H	Overall Height	19.50" (495 mm)
J	Interior Dimensions (JW x JL) Bottom of Bath	23.00" x 45.00" (584 mm x 1143 mm)
K	Interior Dimensions (KW x KL) Top of Bath	23.13" x 52.13" (588 mm x 1324 mm)
L2	Interior Depth - Drain End	17.00" (432 mm)
A	Overflow Height	17.50" (445 mm)
B	Long Edge to Drain Center	9.00" (229 mm)
C	Short Edge to Drain Center	16.00" (406 mm)
D	Drain Shoe Length	6.75" (171 mm)
E	Flange Height	1.25" (32 mm)
F	Deck Width *	3.50" (89 mm)
G	Service Access Dimensions	No Service Access
I	Floor Cutout for Drain	12.00" x 4.00" (305 mm x 102mm)
M	Backrest Angle	23°

**NOTE**

The overall dimensions are nominal with a tolerance of +0 and -.25" (6mm).  
 Electrical Specifications  
 (Each component requires a separate, dedicated GFCI protected circuit)  
 Blower 120V 15A 60HZ

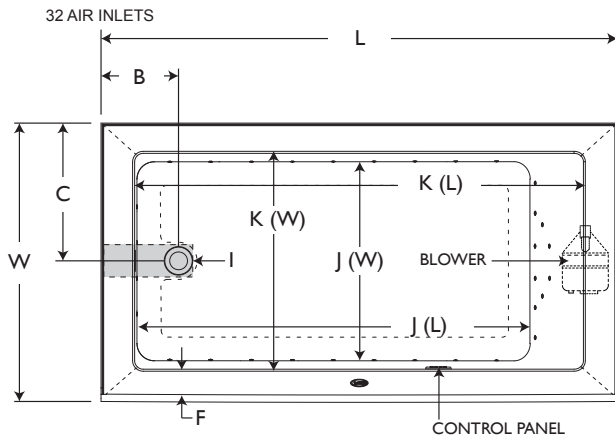
**Drain Kit:**

Must purchase:

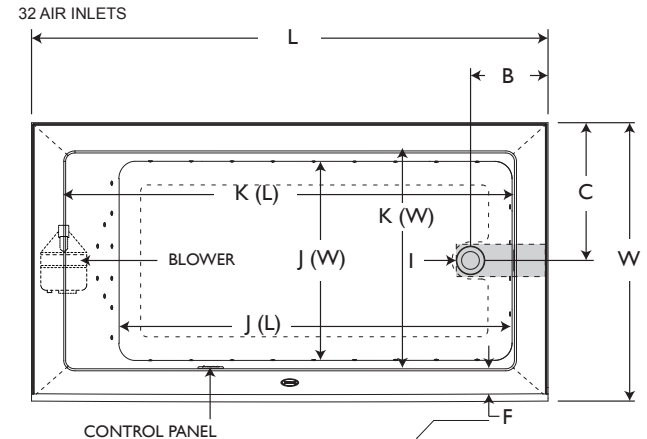
MF35826- Linear DWO Kit BN  
 MF35827- Linear DWO Kit CHR  
 MF35845- Linear DWO Kit ORB

**Key Dimensions**

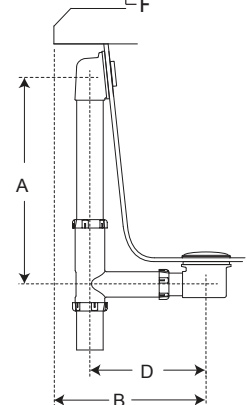
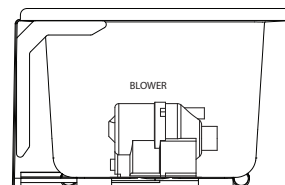
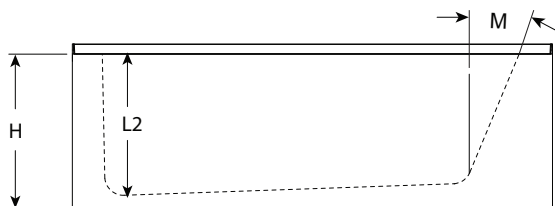
(Left End Drain / Right Side Blower)



(Right End Drain / Left Side Blower)



\*Deck width reflects only area indicated on detail.



**NOTE:** Drawings not to scale.