

## TECHNICAL SPECIFICATIONS

# Riva™ Pure Air II Oval Freestanding Bath

RVF7242 ALR 2XX

Riva Pure Air II Oval Freestanding Bath (GL26)



### INSTALLATION NOTES

Refer to installation instructions included with fixture before beginning installation. Please confirm product availability and specifications before commencing with any installation work.

PRODUCT SPECIFICATIONS AND AVAILABILITY ARE SUBJECT TO CHANGE WITHOUT NOTICE.

## KEY DIMENSIONS

### DIMENSIONS

72" L x 42" W x 20-1/2" H  
(1829 mm) L x (1067 mm) W x (521 mm) H

### DRAIN/OVERFLOW

A: 16" (406 mm) B: 11-1/2" (292 mm)

### TOTAL WEIGHT

1115 lb (506 kg) / 53.1 lb/ft<sup>2</sup> (259 kg/m<sup>2</sup>)

### OPERATING GALLONAGE

89 U.S. Gal. (337 Liters) Max.

### PRODUCT WEIGHT

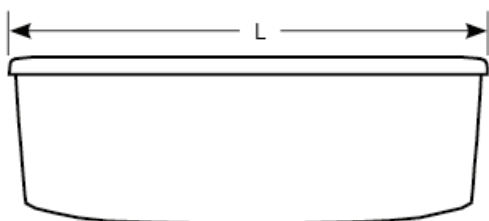
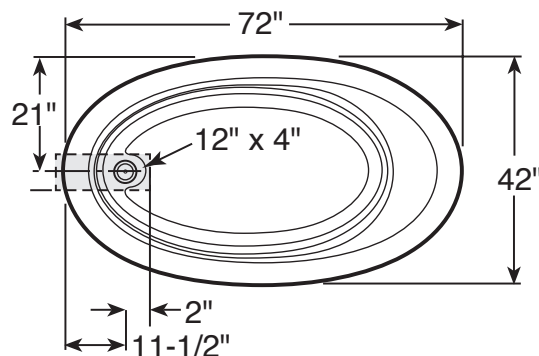
124 lb (59 kg)

## FEATURES, UPGRADES & ACCESSORIES

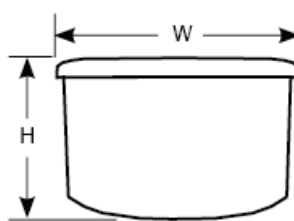
- Universal Drain Location
- Accessories / Hardware:
  - Rotary Drain Kit, 26" Cable: #8730
  - Decorative Ring: #GN75
  - Decorative Legs: #GN77
- Trim Kit Finishes Available:
  - (827) – Chrome
  - (898) – Brushed Chrome
  - (849) – Oil Rubbed Bronze

\* Measurements inside unit represent cutout in floor to allow for drain/overflow.

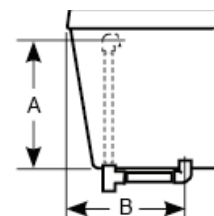
Minimum Service Access dimensions given.



SIDE VIEW



END VIEW



DRAIN / OVERFLOW