

TECHNICAL SPECIFICATIONS

Riva™ Pure Air II Oval Freestanding Bath

RVF7242 AUR XXX

Riva Pure Air II Oval Freestanding Bath (GL25)



INSTALLATION NOTES

Refer to installation instructions included with fixture before beginning installation. Please confirm product availability and specifications before commencing with any installation work.

PRODUCT SPECIFICATIONS AND AVAILABILITY ARE SUBJECT TO CHANGE WITHOUT NOTICE.

KEY DIMENSIONS

DIMENSIONS

72" L x 42" W x 20-1/2" H
(1829 mm) L x (1067 mm) W x (521 mm) H

DRAIN/OVERFLOW

A: 16" (406 mm) B: 11-1/2" (292 mm)

TOTAL WEIGHT

1208 lb (548 kg) / 57.5 lb/ft² (281 kg/m²)

OPERATING GALLONAGE

Max. 89 U.S. Gal. (337 Liters)

Min. 55 U.S. Gal. (208 Liters)

PRODUCT WEIGHT

167 lb (76 kg)

ELECTRICAL SPECIFICATIONS

Requires a dedicated GFCI protected separate circuit.

Blower: 120 VAC, 15 AMP, 60 Hz.

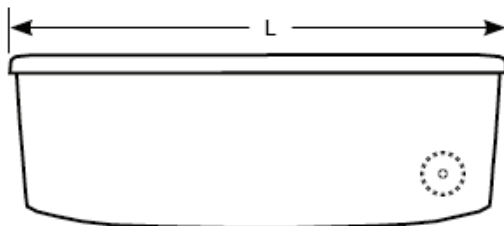
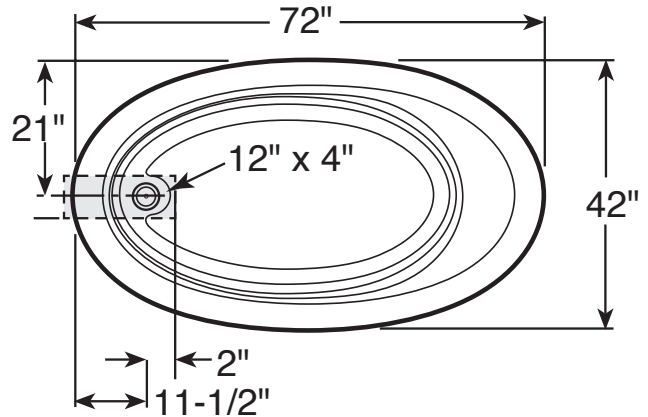
HEATER

No water heater is available on this unit. Blower has integral air heater.

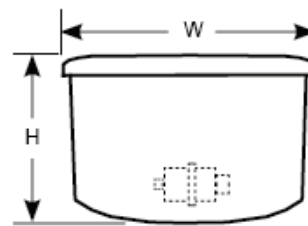
* Measurements inside unit represent cutout in floor to allow for drain/overflow.

FEATURES, UPGRADES & ACCESSORIES

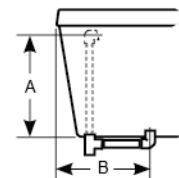
- Left Hand Drain Location
- Accessories / Hardware:
 - Rotary Drain Kit, 26" Cable: #8730
 - Decorative Ring: #GN75
 - Decorative Legs: #GN77
- Trim Kit Finishes Available:
 - (827) – Chrome
 - (826) – Brushed Nickel
 - (849) – Oil Rubbed Bronze



SIDE VIEW



END VIEW



DRAIN/OVEFLOW