

TECHNICAL SPECIFICATIONS



Signa® 6 Plus Whirlpool Bath

SIG7242 WCR 2CJ Signa 6 Whirlpool Bath Right Hand (BP87)
 SIG7242 WCL 2CJ Signa 6 Whirlpool Bath Left Hand (EP40)

INSTALLATION NOTES

Refer to installation instructions included with fixture before beginning installation. Please confirm product availability and specifications before commencing with any installation work.

PRODUCT SPECIFICATIONS AND AVAILABILITY ARE SUBJECT TO CHANGE WITHOUT NOTICE.

KEY DIMENSIONS

DIMENSIONS

72" L x 42" W x 22" H
 (1829 mm) L x (1067 mm) W x (559 mm) H

DRAIN/OVERFLOW

A: 16-7/8" (429 mm) B: 14" (356 mm)

CUTOUT

70" x 40"

TOTAL WEIGHT

826 lb (375 kg) / 39 lb/sq. ft. (192 kg/m²)

OPERATING GALLONAGE

55 U.S. Gal (208 Liters)

Max. 103 U.S. (390 Liters)

PRODUCT WEIGHT

118 lb (54 kg)

SKIRT MOUNTING

Not Available

ELECTRICAL SPECIFICATIONS

Requires a dedicated GFCI protected separate circuit.

Motor/Pump: 120 VAC, 15 AMP, 60 Hz.

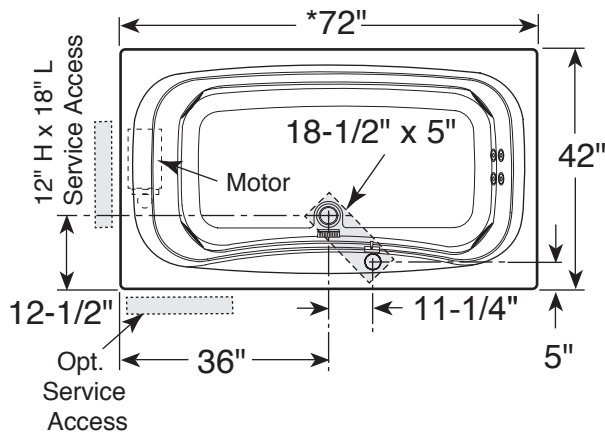
RapidHeat™: 120 VAC, 15 AMP, 60 Hz.

HEATER (STANDARD)

Requires a dedicated GFCI protected separate circuit.

FEATURES, UPGRADES & ACCESSORIES

- Center Drain Location
- Accessories / Hardware:
 - Trip-Lever Drain Kit #X559
 - Rotary Trip-Lever Drain Kit: #K606
 - TheraPro™ Jet Rings Kit: #GU44
 - AccuPro™ Jet Rings Kit (2Req'd): #GU45
- Trim Kit Finishes Available:
 - (827) – Chrome
 - (826) – Brushed Nickel
 - (845) – Oil Rubbed Bronze



Product Shown: Signa 6 Plus Whirlpool Bath Left Hand
 Model: BP87

* Measurements inside unit represent cutout in floor to allow for drain/overflow. Minimum Service Access dimensions given.

