

TECHNICAL SPECIFICATIONS



Riva® 5 Whirlpool Plus Bath

RIV6243 WLR 2XX Riva 5 Whirlpool Bath, Left Hand (ES30)
 RIV6243 WRL 2XX Riva 5 Whirlpool Bath, Right Hand (ES40)

INSTALLATION NOTES

Refer to installation instructions included with fixture before beginning installation. Please confirm product availability and specifications before commencing with any installation work.

PRODUCT SPECIFICATIONS AND AVAILABILITY ARE SUBJECT TO CHANGE WITHOUT NOTICE.

KEY DIMENSIONS

DIMENSIONS

62" L x 43" W x 19" H
 (1575 mm) L x (1092 mm) W x (483 mm) H

DRAIN/OVERFLOW

A: 14-3/4" (375 mm) B: 9-1/2" (241 mm)

CUTOUT

Template Provided Part Number: GM28000

TOTAL WEIGHT

779 lb (354 kg) / 44.2 lb/sq. ft. (215 kg/m²)

OPERATING GALLONAGE

Min. 42 U.S. Gal. (151 Liters)

Max. 54 U.S. Gal. (220 Liters)

PRODUCT WEIGHT

96 lb (44 kg)

SKIRT MOUNTING

Not Available

ELECTRICAL SPECIFICATIONS

Requires a dedicated GFCI protected separate circuit.

Motor/Pump: 120 VAC, 15 AMP, 60 Hz.

RapidHeat™: 120 VAC, 15 AMP, 60 Hz.

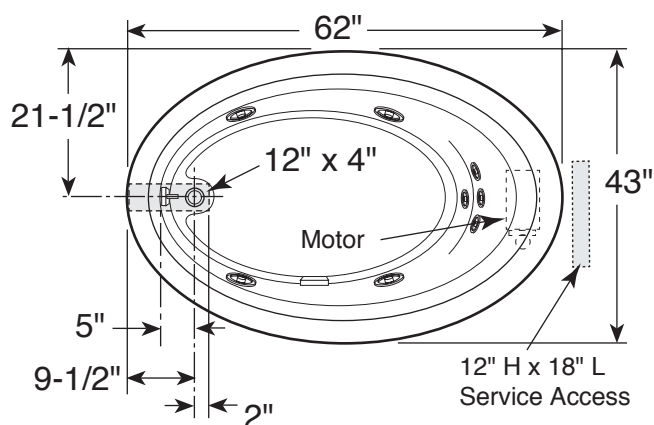
HEATER (OPTIONAL)

Requires a dedicated GFCI protected separate circuit.

RapidHeat™: P/N S750000

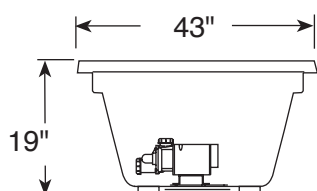
FEATURES, UPGRADES & ACCESSORIES

- Left and Right Hand Drain Location
- Accessories / Hardware:
 - Rotary Drain Kit, 26" Cable #8730
 - Trip-Lever Drain Kit: #X559
 - Trim Kit: AccuPro Jet Rings #GU45
 - Trim Kit: TheraPro Jet Rings #GU44
- Trim Kit Finishes Available:
 - (827) – Chrome
 - (826) – Brushed Nickel
 - (849) – Oil Rubbed Bronze

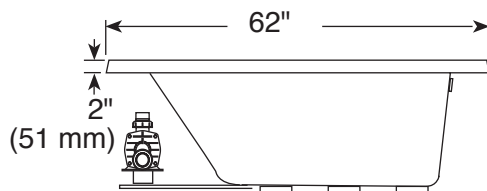


Product Shown: Riva 5 Plus Whirlpool Bath Right Hand Shown
 Model: ES40

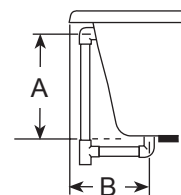
* Measurements inside unit represent cutout in floor to allow for drain/overflow. Minimum Service Access dimensions given.



END VIEW



SIDE VIEW



DRAIN/OVERFLOW