

# TECHNICAL SPECIFICATIONS



## Cetra® 532 Plus Whirlpool Bath Left Hand

CET6032 WLR 2CJ Cetra 532 Plus, Left Hand Whirlpool Bath (EN20)

## Cetra® 532 Plus Whirlpool Bath Right Hand

CET6032 WRL 2CJ Cetra 532 Plus, Right Hand Whirlpool Bath (EN30)

### INSTALLATION NOTES

Refer to installation instructions included with fixture before beginning installation. Please confirm product availability and specifications before commencing with any installation work.

PRODUCT SPECIFICATIONS AND AVAILABILITY ARE SUBJECT TO CHANGE WITHOUT NOTICE.

# KEY DIMENSIONS

### DIMENSIONS

60" L x 32" W x 21-1/4" H  
(1524 mm) L x (813 mm) W x (540 mm) H

### DRAIN/OVERFLOW

A: 18-1/2" ( 470 mm) B: 9" ( 229 mm)

### CUTOUT

58" x 30"

### TOTAL WEIGHT

857 lb (388 kg) / 64 lb/sq. ft. (312 kg/m<sup>2</sup>)

### OPERATING GALLONAGE

Min. 40 U.S. Gal. (151 Liters)

Max. 62 U.S. Gal. (235 Liters)

### PRODUCT WEIGHT

91 lb (41 kg)

### SKIRT MOUNTING

Optional, U-Frame: P/N F955

### ELECTRICAL SPECIFICATIONS

Requires a dedicated GFCI protected separate circuit.

Motor/Pump: 120 VAC, 15 AMP, 60 Hz.

RapidHeat™: 120 VAC, 15 AMP, 60 Hz.

### HEATER (STANDARD)

Requires a dedicated GFCI protected separate circuit.

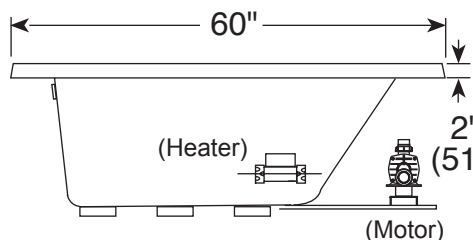
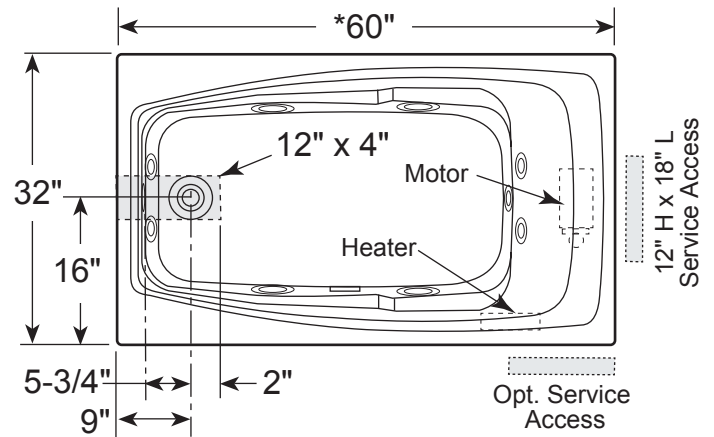
9" RapidHeat™: P/N S750000

Product Shown: Cetra 532 Plus, Left Hand Whirlpool Bath  
Model: EN20

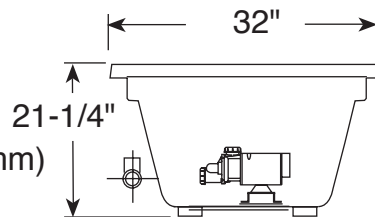
\* Measurements inside unit represent cutout in floor to allow for drain/overflow. Minimum Service Access dimensions given.

# FEATURES, UPGRADES & ACCESSORIES

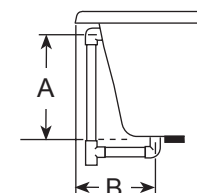
- Left and Right Hand Drain Location
- Accessories / Hardware:
  - Trip-Lever Drain Kit: #X559
  - Rotary Drain Kit, 26" Cable: #8730
  - TheraPro™ Jet Rings Kit #GU44
  - AccuPro™ Jet Rings Kit #GU45 (2 kits required)
- Trim Kit Finishes Available:
  - (827) – Chrome
  - (826) – Brushed Nickel
  - (845) – Oil Rubbed Bronze



END VIEW



SIDE VIEW



DRAIN/OVERFLOW