

TECHNICAL SPECIFICATIONS



Capella® Plus Whirlpool Bath

CAP6060 WCR 2CJ Capella Plus Whirlpool Bath, Right Hand (EM90)
 CAP6060 WCL 2CJ Capella Plus Whirlpool Bath, Left Hand (EN00)

INSTALLATION NOTES

Refer to installation instructions included with fixture before beginning installation. Please confirm product availability and specifications before commencing with any installation work.

PRODUCT SPECIFICATIONS AND AVAILABILITY ARE SUBJECT TO CHANGE WITHOUT NOTICE.

KEY DIMENSIONS

DIMENSIONS

60" L x 60" L x 20-1/2" H
 (1524 mm) L x (1524 mm) L x (521 mm) H

DRAIN/OVERFLOW

A: 18" (457 mm) B: 12-1/8" (308 mm)

CUTOUT

Not Available

TOTAL WEIGHT

1170 lb (531 kg) / 47 lb/ft² (229 kg/m²)

OPERATING GALLONAGE

MIN: 55 U.S. gal (208 liters)

MAX: 90 U.S. gal (341 liters)

PRODUCT WEIGHT

120 lb (59 kg)

SKIRT MOUNTING

Not Available

ELECTRICAL SPECIFICATIONS

Requires a dedicated GFCI protected separate circuit.

Motor/Pump: 120 VAC, 15 AMP, 60 Hz.

RapidHeat™: 120 VAC, 15 AMP, 60 Hz.

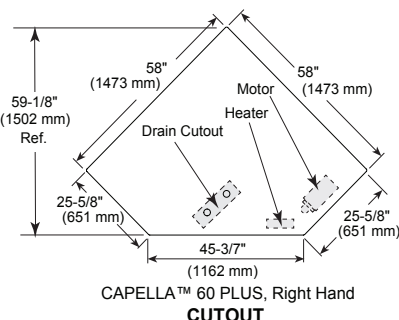
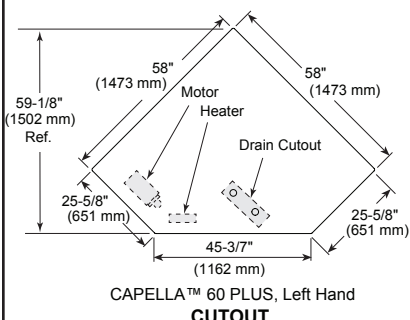
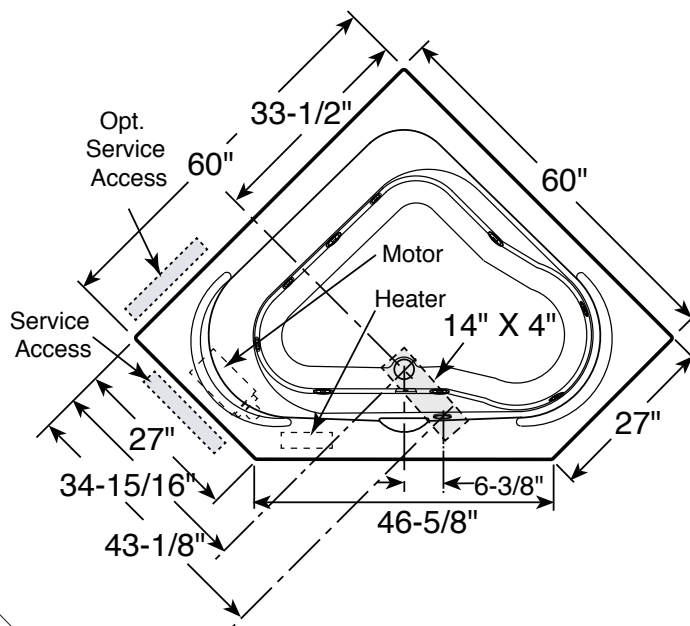
HEATER (STANDARD)

Requires a dedicated GFCI protected separate circuit.

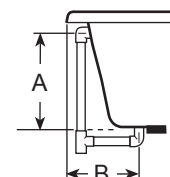
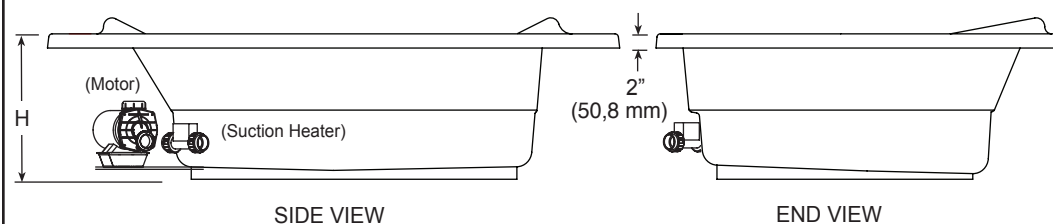
RapidHeat™: P/N S750000

FEATURES, UPGRADES & ACCESSORIES

- Center Drain Location
- Accessories / Hardware:
 - Trip-Lever Drain Kit #X559
 - Rotary Drain Kit, 26" Cable #8730
 - TheraPro Jet Trim Kit: #GU44
 - AccuPro Jet Trim Kit (3 Req'd): #GU45
- Trim Kit Finishes Available:
 - (827) – Chrome
 - (826) – Brushed Nickel
 - (845) – Oil Rubbed Bronze



Product Shown: Capella Left Hand Motor Plus Whirlpool Bath Model: EN00
 * Measurements inside unit represent cutout in floor to allow for drain/overflow. Minimum Service Access dimensions given.



DRAIN/OVERFLOW