

TECHNICAL SPECIFICATIONS



Amiga® Plus Whirlpool Bath

- AMI7236 WLR 2CJ Amiga Plus Whirlpool Bath, Left Hand, Right Pump (BP69)
- AMI7236 WRL 2CJ Amiga Plus Whirlpool Bath, Right Hand, Left Pump (EM80)
- AMI7236 WLF 2CJ Amiga Plus Whirlpool Bath, Left Hand, Right Front Pump (DB47)
- AMI7236 WRG 2CJ Amiga Plus Whirlpool Bath, Right Hand, Left Front Pump (DB65)
- AMI7236 WLB 2CJ Amiga Plus Whirlpool Bath, Left Hand, Right Back Pump (DB35)
- AMI7236 WRE 2CJ Amiga Plus Whirlpool Bath, Right Hand, Left Back Pump (DB53)

INSTALLATION NOTES

Refer to installation instructions included with fixture before beginning installation. Please confirm product availability and specifications before commencing with any installation work.

PRODUCT SPECIFICATIONS AND AVAILABILITY ARE SUBJECT TO CHANGE WITHOUT NOTICE.

KEY DIMENSIONS

DIMENSIONS

72" L x 36" W x 20-3/4" H
(1829 mm) L x (914 mm) W x (527 mm) H

DRAIN/OVERFLOW

A: 16-7/8" (429 mm) B: 14" (356 mm)

CUTOUT

70" x 34"

TOTAL WEIGHT

955 lb. (433 kg) / 53 lb/sq. ft. (259 kg/m²)

OPERATING GALLONAGE

Min. 54 U.S. Gal. (204 Liters)

Max. 72 U.S. Gal. (273 Liters)

PRODUCT WEIGHT

105 lb. (48 kg)

SKIRT MOUNTING

Optional U-Frame P/N F958

ELECTRICAL SPECIFICATIONS

Requires a dedicated GFCI protected separate circuit.

Motor/Pump: 120 VAC, 15 AMP, 60 Hz.

RapidHeat™: 120 VAC, 15 AMP, 60 Hz.

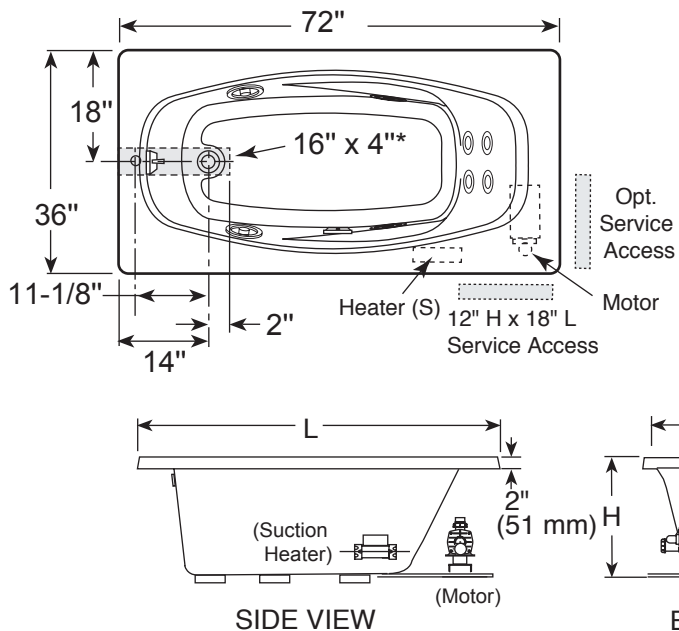
HEATER (STANDARD)

Requires a dedicated GFCI protected separate circuit.

RapidHeat™: P/N S750000

FEATURES, UPGRADES & ACCESSORIES

- Left Hand Drain Location
- Accessories / Hardware:
 - TheraPro™ Jet Rings Kit: #GU44
 - AccuPro™ Jet Rings Kit (2 Required): #GU45
 - Trip-Lever Drain Kit #X559
 - Rotary Drain Kit, 26" Cable #8730
- Trim Kit Finishes Available:
 - (827) – Chrome
 - (826) – Brushed Nickel
 - (845) – Oil Rubbed Bronze



Product Shown: Amiga Plus Whirlpool Bath Left Hand Shown Model: BP69

* Measurements inside unit represent cutout in floor to allow for drain/overflow. Minimum Service Access dimensions given.

