

Finestra 6030 LH Pure Air Bath



Product Codes beginning with: F4N6030ALR, F7N6030ALR

Also applies to products sold under part numbers: LT10, LT30, LV10, LV30

TECHNICAL SPECIFICATIONS

| | English | Metric |
|---|--|----------------------------------|
| Outer Dimensions | 60" L x 30" W x 38 1/2" H | 1524 mm L x 762 mm W x 978 mm H |
| Interior Dimensions (bottom of bath) L x W (Mid) x W (End) | 28" L x 17" W x 17" W | 711 mm L x 432 mm W x 432" W |
| Drain/Blower Configuration | Left hand drain/Right end blower | Left hand drain/Right end blower |
| Bath Weight (empty) | 230 lbs | 105 kg |
| Total Weight/Floor Loading | 1,413 lbs 113 lbs/ft ² | 642 kg 551 kg/m ² |
| Operating Gallonage (min-max) | 72 (min) 112 (max) U.S. Gals | 273 (min) 424 (max) L |
| Electrical Specifications | Each component requires a separate, dedicated GCFI protected circuit(s) | |
| Blower | | 120V 15A 60HZ |
| Chromatherapy (if selected) | | 120V 15A 60HZ |

FEATURES, UPGRADES & ACCESSORIES

Material Type: High-Gloss Acrylic

Install Type: Walk-in, Skirted

Available Colors: White (W), Almond (A), Oyster (Y)

Standard (Included) Features:

Chromatherapy lighting, 800w blower, grab bar, chrome rotary drain, bottom and seat air channels

Available Control Systems:

J4 Luxury Control Panel (standard)

J5 Luxury LCD Control Panel

Available Upgrades:

900w blower (with J5 LCD Control Panel)

Available Accessories:

BN21 Finestra Drain Trim Kit (specify metal finish)

826: Brushed Nickel, 845: Oil Rubbed Bronze

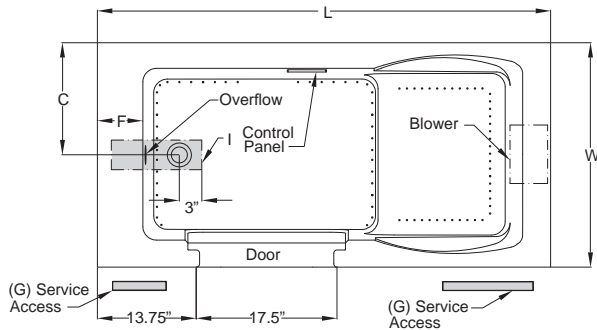
5817000 Tile Flange Kit

EK91 21" Straight Pillow (specify color) 959: White, 958: Almond,

969: Oyster

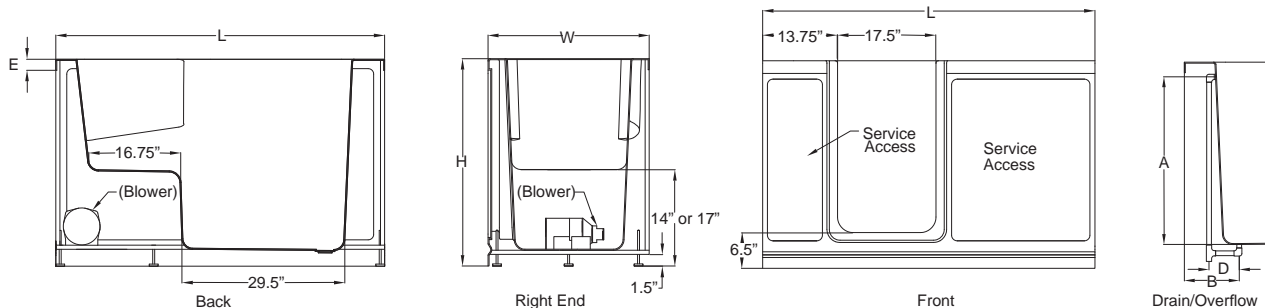
GQ88 Light Chromatherapy Add-on Kit

KEY DIMENSIONS



*Deck width reflects only area indicated on detail.

| Letter | Description | English | Metric |
|--------|----------------------------|---------------|-----------------|
| L | Outer Length | 60" | 1524 mm |
| W | Outer Width | 30" | 762 mm |
| H | Overall Height | 38 1/2" | 978 mm |
| A | Overflow Height | 31 1/2" | 800 mm |
| B | Long Edge to Drain Center | 11 11/16" | 297 mm |
| C | Short Edge to Drain Center | 15" | 381 mm |
| D | Drain Shoe Length | 8 7/8" | 224 mm |
| E | Deck Height | 2" | 51 mm |
| F | Deck Width* | 5" | 127 mm |
| G | Service Access Dimensions | 12" H x 18" L | 305 mm x 457 mm |
| I | Floor Cut-out for Drain | 16" x 4" | 406 mm x 102 mm |



NOTE: Graphics May Not be to Scale

© 2010 Jacuzzi Luxury Bath • For additional information call Customer Service 800-288-4002 • www.jacuzzi.com/technicalspecs

Refer to installation instructions included with fixture before beginning installation. Please confirm product availability and specifications before commencing with any installation work.

PRODUCT SPECIFICATIONS AND AVAILABILITY ARE SUBJECT TO CHANGE WITHOUT NOTICE.

HD14000/HD18000 REL 03/10